

Commercial Stacked Dryers

Metered and Nonmetered
Refer to Page 3 for Model Numbers

Parts



www.comlaundry.com

Part No. 506130R5
August 2012

Table of Contents

Title	Page
Parts Ordering Information.....	2
Nameplate Location.....	2
Model Identification.....	3
Control Panel, Controls and Cabinet.....	4
Coin Drawers, Coin Vaults and Control Cabinet.....	6
Control Panel and Controls.....	8
Control Panel and Cabinet.....	10
Control Cabinet Timer, Plate and Knob.....	12
2 Switch Accumulator.....	14
3 Switch Accumulator without Audit.....	16
3 Switch Accumulator with Audit.....	18
Loading Door without Window.....	20
Loading Door with Window.....	22
Front Panels.....	24
Blower Fan and Thermostats.....	26
Motor and Belt.....	28
Front Bulkhead, Air Duct, Felt Seal and Cylinder.....	30
Heater Duct - Electric Models.....	32
Heater Duct - Gas Models.....	34
Rear Bulkhead, Felt Seal and Cylinder Roller.....	36
Gas Valve, Igniter and Gas Conversion Kits.....	38
56279 Gas Valve Assembly.....	40
Gas Valve.....	42
Burner Orifice Spuds - For Higher Elevations.....	44
Terminal Block - Models Through Serial No. S6270865XG.....	46
Terminal Block - Models Starting Serial No. S6270866XG.....	48
Exhaust Duct and Cabinet Base.....	50
Wire Harnesses and Wires.....	52
Parts Index.....	53

© Copyright 2012, Alliance Laundry Systems LLC

All rights reserved. No part of the contents of this book may be reproduced or transmitted in any form or by any means without the expressed written consent of the publisher.

Parts Ordering Information

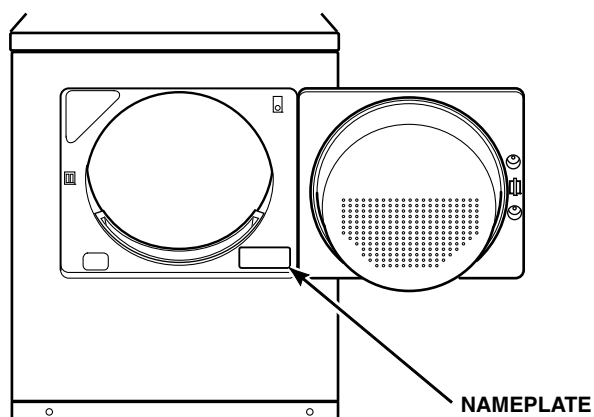
If literature or replacement parts are required, contact the source from whom the machine was purchased or contact Alliance Laundry Systems at (920) 748-3950 for the name and address of the nearest authorized parts distributor.

For technical assistance, call either of the numbers listed below:

(920) 748-3121 Ripon, Wisconsin
+32 56 41 20 54 Wevelgem, Belgium

Nameplate Location

When calling or writing about your product, be sure to mention model and serial numbers. Model and serial numbers are located on nameplate(s) as shown.



DRY912P_506130

Model Identification

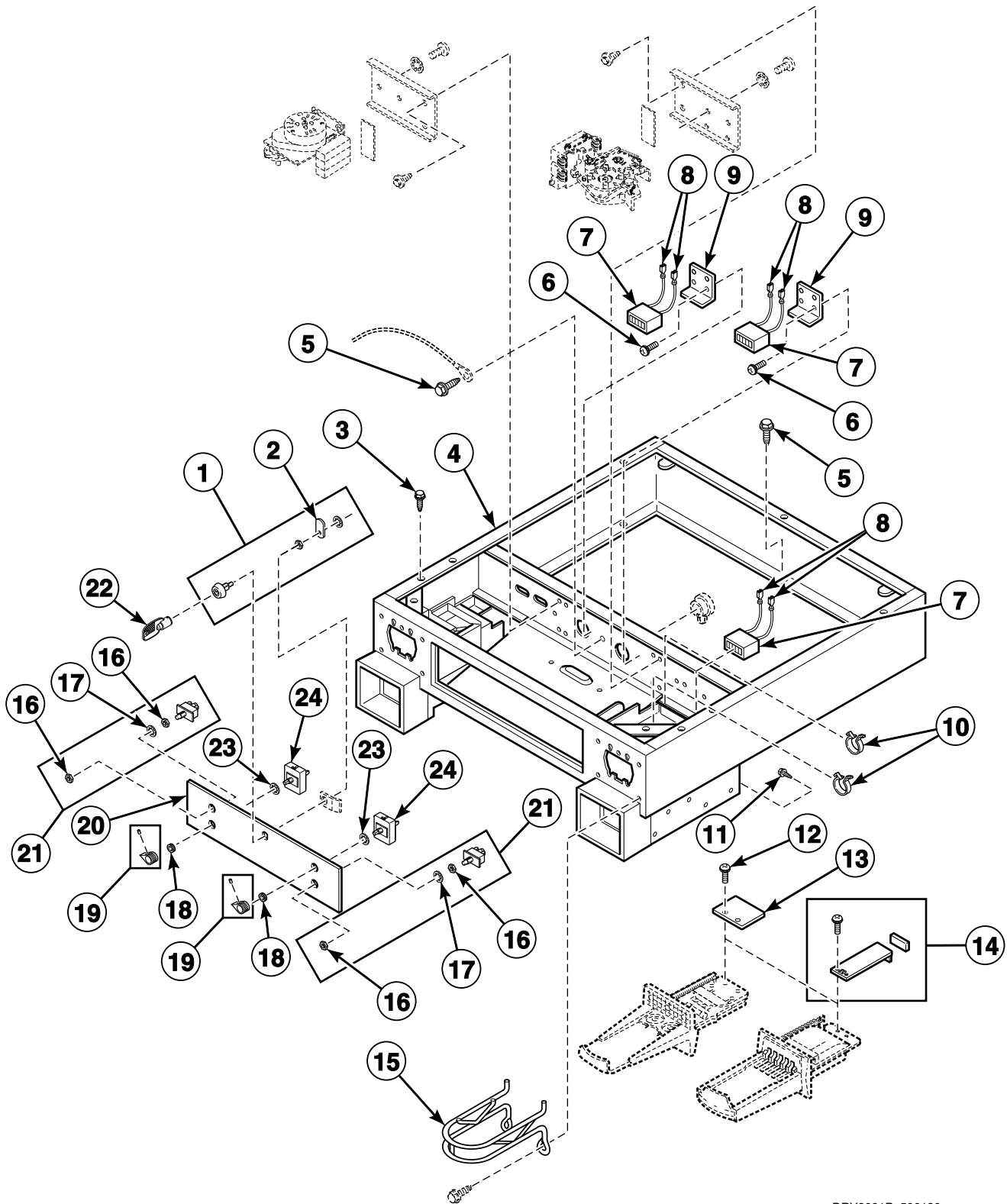
Information in this manual is applicable to these dryer models:

EE5010	EE5121	EG5121-3000	RE6330	RG6390
EE5010-1500	EE5211-1500	EG5121-3058	RE6332	RG6392
EE5010-3000	EE5510	EG5520	RG5190	SE1120-1500
EE5110	EE5510-1500	RE5130	RG5192	SE5130
EE5110-1500	EE5511	RE5132	RG5290	SG5190
EE5110-3000	EG5020	RE5230	RG5292	ZE5110-2802
EE5111	EG5020-3000	RE5232	RG6190	ZE5110-2902
EE5111-1500	EG5120	RE6130	RG6192	ZE5121-1102
EE5111-3000	EG5120-3000	RE6132	RG6192-3000	ZG5121-1102
EE5120-3000	EG5121	RE6232	RG6292	ZG5121-3058

Control Panel, Controls and Cabinet

Metered Models

Models EE5110, EE5110-1500, EE5110-3000, EE5111, EE5111-1500, EE5111-3000, EE5120-3000, EE5121, EE5211-1500, EE5510, EE5510-1500, EE5511, EG5120, EG5120-3000, EG5121, EG5121-3000, EG5121-3058, EG5520, RE6130, RE6132, RG6190, RG6192, RG6192-3000, ZE5110-2802, ZE5110-2902, ZE5121-1102, ZG5121-1102 and ZG5121-3058



DRY2091P_506130

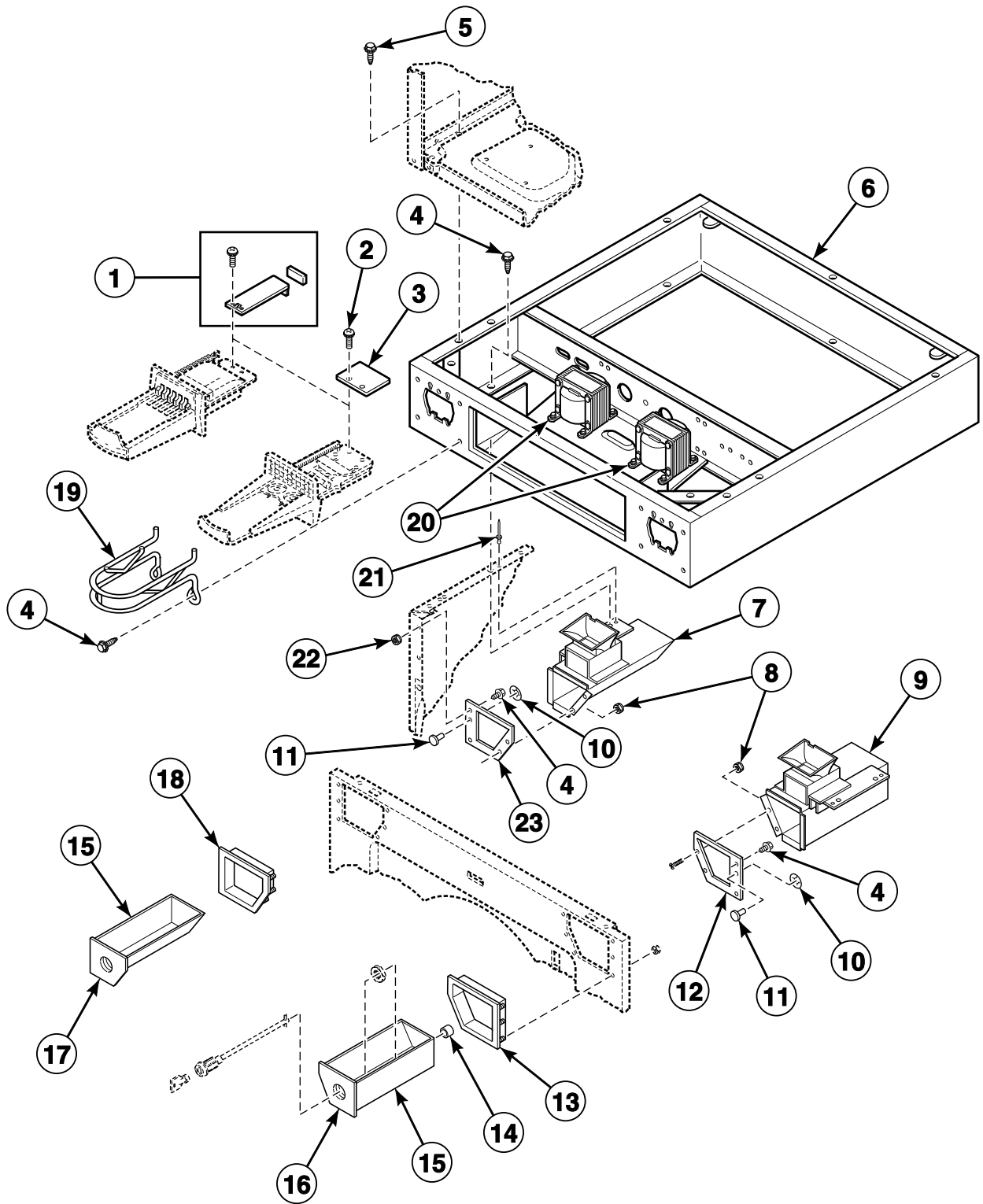
Control Panel, Controls and Cabinet

REF	PART NO.	DESCRIPTION	COMMENTS
1	N/A	Lock Assembly	
2	N/A	Lock Cam	
3	36048	Screw	
4	N/A	Security Cabinet Assembly	
5	503661	Screw	
6	N/A	Screw	Models EE5510, EE5510-1500, EG5120, EG5120-3000 and EG5520
7	62113P	Counter Kit	Models EE5510, EE5510-1500, EG5120, EG5120-3000 and EG5520
8	00245	Spade Terminal	Models EE5510, EE5510-1500 and EG5520 starting Serial No. S6348564YD
9	N/A	Counter Bracket	Models EE5510, EE5510-1500, EG5120, EG5120-3000 and EG5520
10	21036	Cable Clip	Models EE5510, EE5510-1500 and EG5520 starting Serial No. S6348564YD
11	51780	Screw	
12	N/A	Screw	
13	N/A	Coin Slide Extension	
14	N/A	Stack Dryer Slide Extension Kit	
15	58181	Coin Slide Guard	
16	52947	Nut	
17	25820	Washer	
18	24205	Nut	
19	39897	Switch Knob	
20	N/A	Control Panel	
21	55882	Switch Assembly	
22	54612	Key	GR800; Use with item 1
23	91176	Washer	
24	56576	Temperature Selector Switch	

N/A = Part no longer available

Coin Drawers, Coin Vaults and Control Cabinet

Models RE5130, RE5132, RG5190, RG5192, SE1120-1500, SE5130 and SG5190



DRY2049P_506130

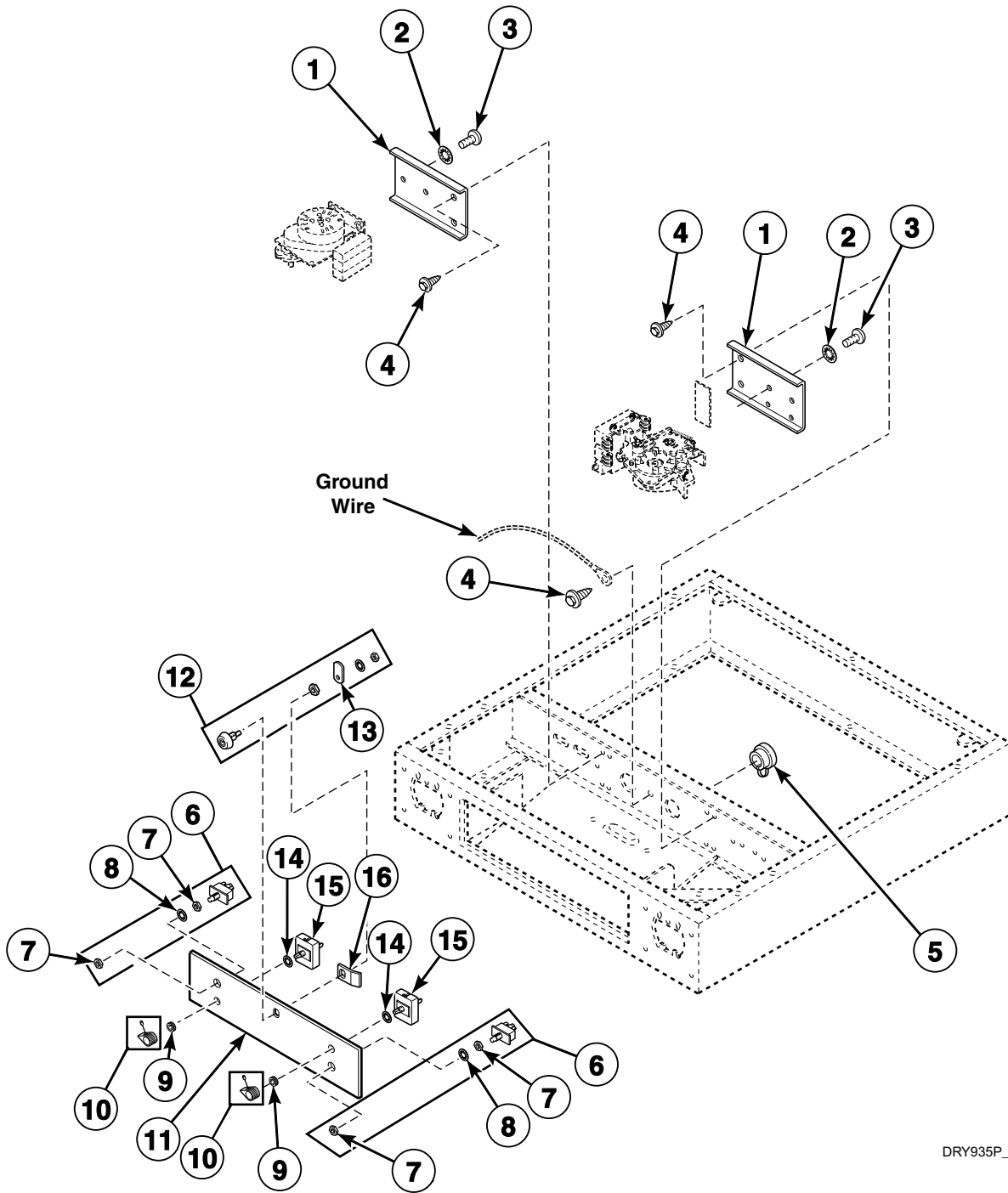
Coin Drawers, Coin Vaults and Control Cabinet

REF	PART NO.	DESCRIPTION	COMMENTS
1	N/A	Stack Dryer Slide Extension Kit	
2	N/A	Screw	
3	N/A	Coin Slide Extension	
4	503661	Screw	
5	36048	Screw	
6	N/A	Security Cabinet Assembly	
7	N/A	Coin Vault Assembly	Left
8	51236	Nut	
9	N/A	Coin Vault Assembly	Right
10	N/A	Nut	
11	N/A	Rivet	
12	N/A	Coin Door Bracket	Right
13	N/A	Frame	Right
14	JA-15762	Bushing	Models RE5130, RE5132, RG5190 and RG5192
15	N/A	Drawer Assembly	
16	N/A	Coin Door Face Plate	Right
17	N/A	Coin Door Face Plate	Left
18	N/A	Frame	Left
19	56703	Coin Slide Guard	
20	511658P	Transformer Kit	Model SG5190
21	N/A	Pop Rivet	
22	N/A	Nut	
23	N/A	Bracket	Left

N/A = Part no longer available

Control Panel and Controls

Models RE5130, RE5132, RG5190, RG5192, SE1120-1500, SE5130 and SG5190



DRY935P_506130

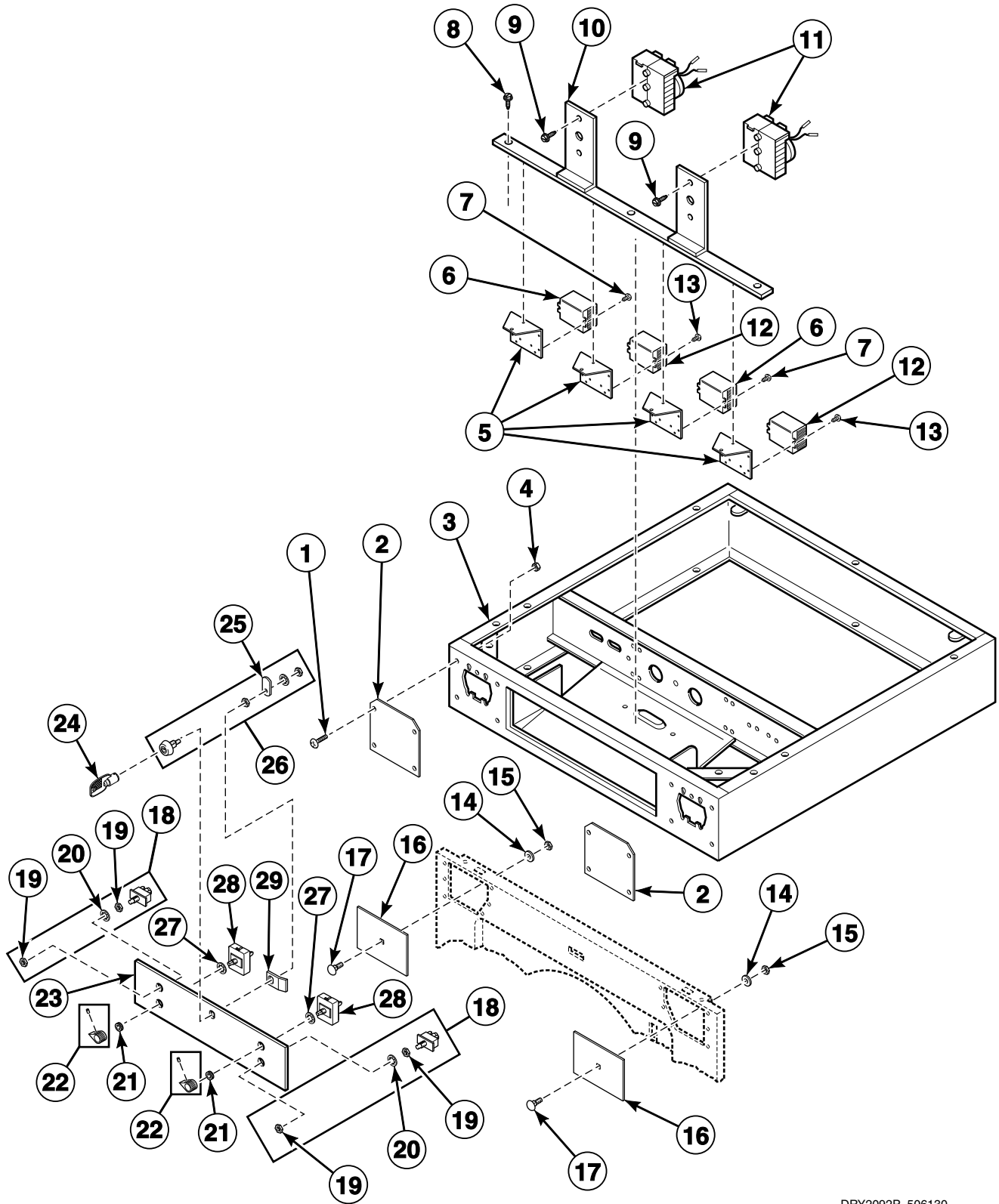
Control Panel and Controls

REF	PART NO.	DESCRIPTION	COMMENTS
1	N/A	Dryer Timer Bracket Kit	
2	21734	Washer	
3	03203	Screw	
4	503661	Screw	
5	52151	Strain Relief	Electric models
	52113	Strain Relief	Gas models
6	55882	Switch Assembly	
7	52947	Nut	
8	25820	Washer	
9	24205	Nut	
10	39897	Switch Knob	
11	N/A	Control Panel	
12	N/A	Lock Assembly	
13	N/A	Lock Cam	
14	91176	Washer	
15	56576	Temperature Selector Switch	
16	N/A	Grounding Clip	

N/A = Part no longer available

Control Panel and Cabinet

Models RE6330, RE6332, RG6390 and RG6392



DRY2092P_506130

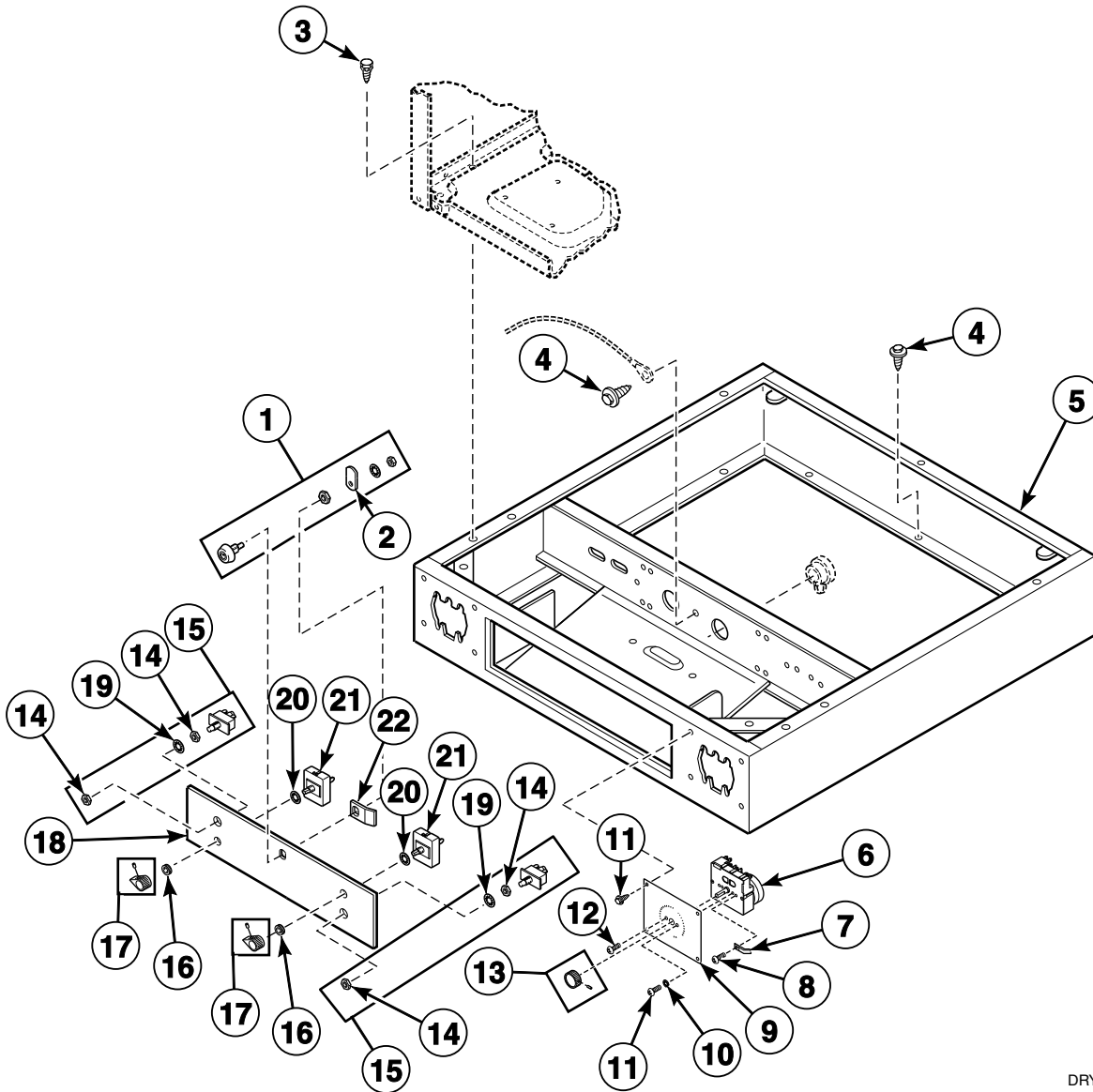
Control Panel and Cabinet

REF	PART NO.	DESCRIPTION	COMMENTS
1	03203	Screw	
2	N/A	Coin Slide Cover Plate	
3	N/A	Security Cabinet Assembly	
4	51236	Nut	
5	N/A	Relay Mounting Bracket	
6	30616	Latch Relay	
7	M405936	Screw	
8	02916	Screw	
9	80399	Screw	
10	N/A	Timer Bracket Assembly	
11	N/A	Timer	
12	N/A	Relay	
13	23222	Screw	
14	N/A	Washer	
15	20275	Nut	
16	N/A	Vault Cover Plate	
17	N/A	Bolt	
18	55882	Switch Assembly	
19	52947	Nut	
20	25820	Washer	
21	24205	Nut	
22	39897	Switch Knob	
23	N/A	Control Panel	
24	54612	Key	
25	N/A	Lock Cam	
26	N/A	Lock Assembly	
27	91176	Washer	
28	56576	Temperature Selector Switch	
29	N/A	Grounding Clip	

N/A = Part no longer available

Control Cabinet Timer, Plate and Knob

Models EE5010, EE5010-1500, EE5010-3000, EG5020, EG5020-3000, RE5230, RE5232, RE6232, RG5290, RG5292 and RG6292



DRY936P_506130

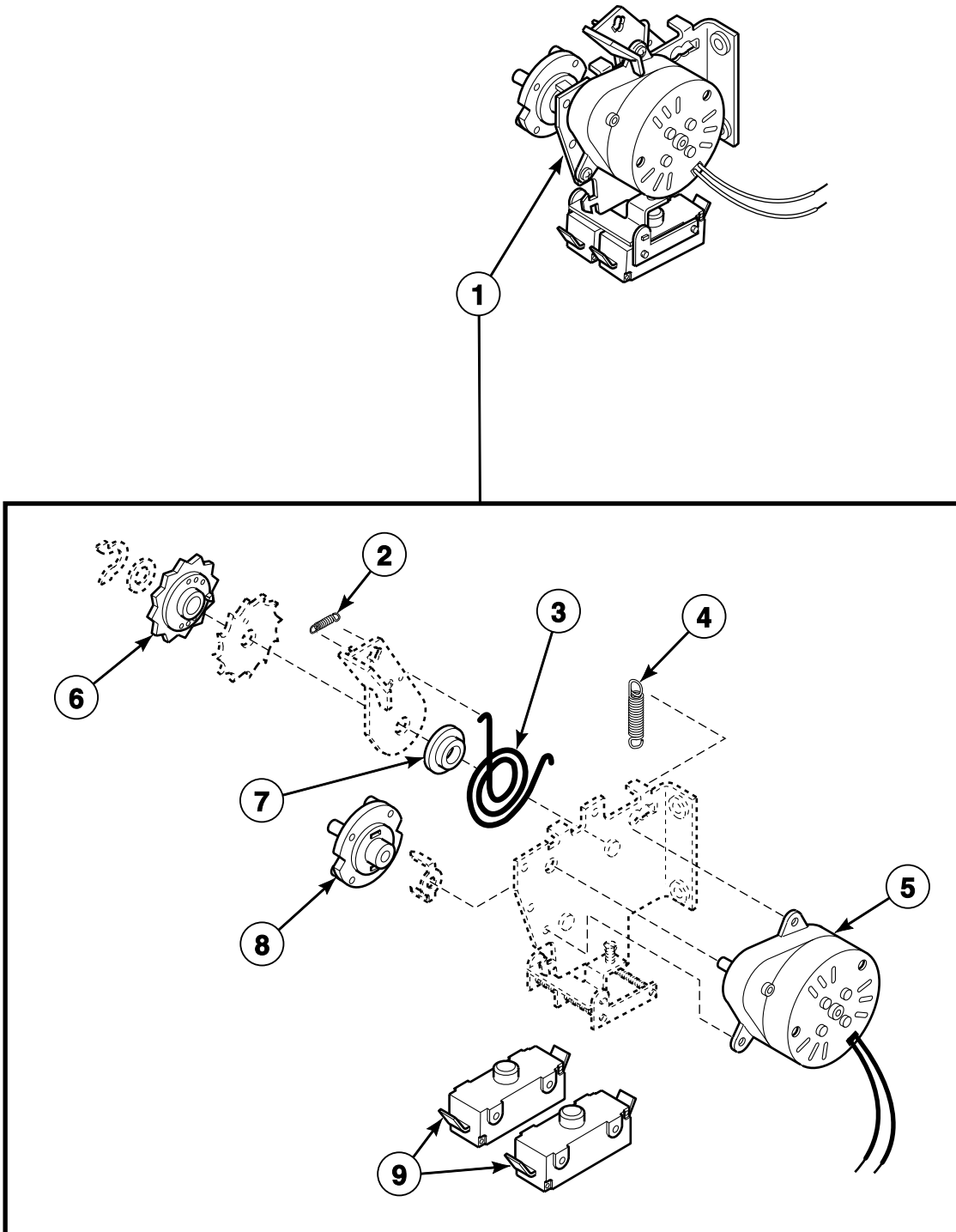
Control Cabinet Timer, Plate and Knob

REF	PART NO.	DESCRIPTION	COMMENTS
1	N/A	Lock Assembly	
2	N/A	Lock Cam	
3	36048	Screw	
4	503661	Screw	
5	N/A	Security Cabinet Assembly	
6	N/A	Timer	
7	N/A	Ground Strap	
8	N/A	Screw	
9	N/A	Timer Plate Assembly	
10	21735	Washer	
11	M405936	Screw	
12	03203	Screw	
13	54678	Timer Knob	
14	52947	Nut	
15	55882	Switch Assembly	
16	24205	Nut	
17	39897	Switch Knob	
18	N/A	Control Panel	
19	25820	Washer	
20	91176	Washer	
21	56576	Temperature Selector Switch	
22	N/A	Grounding Clip	

N/A = Part no longer available

2 Switch Accumulator

All Models Except EE5510, EE5510-1500 and EG5520
Models Starting Serial No. S1S078781



D003P_506130

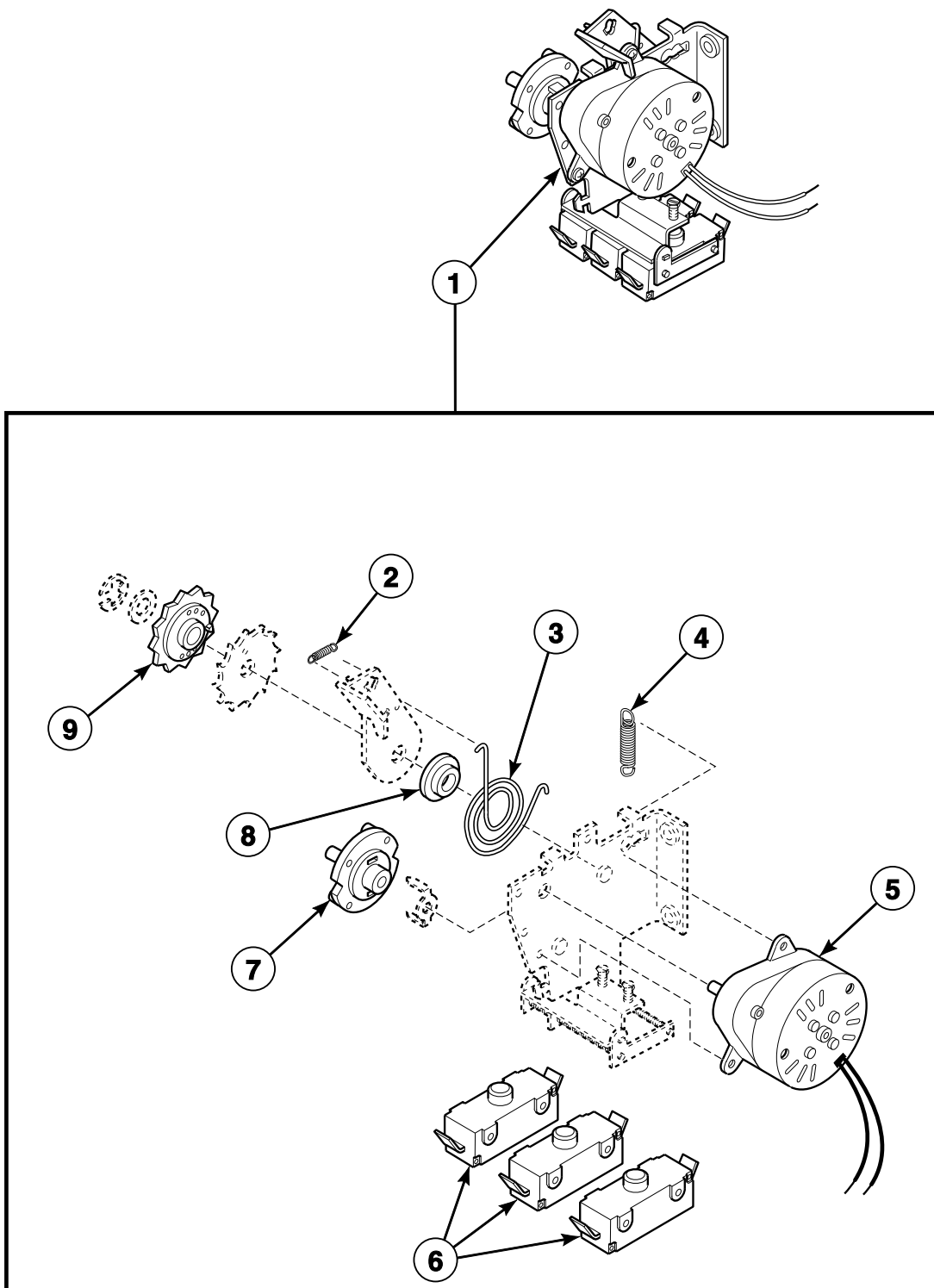
2 Switch Accumulator

REF	PART NO.	DESCRIPTION	COMMENTS
	510534P	Harness Replacement Kit	
1	510629P	Accumulator Replacement Kit	Models EE5010-1500, EE5010-3000, EE5110-1500, EE5110-3000, EE5111-1500, EE5111-3000, EE5120-3000, EE5211-1500, EG5020-3000, EG5120-3000, EG5121-3000, EG5121-3058, RG6192-3000, SE1120-1500, ZE5110-2802, ZE5110-2902, ZE5121-1102, ZG5121-1102 and ZG5121-3058
	510628P	Accumulator Replacement Kit	All other models
2	N/A	Pawl Spring	
3	53261	Spring	
4	N/A	Index Spring	
5	N/A	Timer Motor	Models EE5010-1500, EE5010-3000, EE5110-1500, EE5110-3000, EE5111-1500, EE5111-3000, EE5120-3000, EE5211-1500, EG5020-3000, EG5120-3000, EG5121-3000, EG5121-3058, RG6192-3000, SE1120-1500, ZE5110-2802, ZE5110-2902, ZE5121-1102, ZG5121-1102 and ZG5121-3058
	512017P	Timer Motor	All other models
6	53239	Ratchet Wheel	
7	N/A	Bushing	
8	53240	Timing Cam	60 minute; 3 pin
	53241	Timing Cam	45 minute; 4 pin
	53242	Timing Cam	30 minute; 6 pin
	53243	Timing Cam	20 minute; 9 pin
9	N/A	Switch	

N/A = Part no longer available

3 Switch Accumulator without Audit

All Models Except EE5510, EE5510-1500 and EG5520
Models Through Serial No. S1S078780



DRY1976P_506130

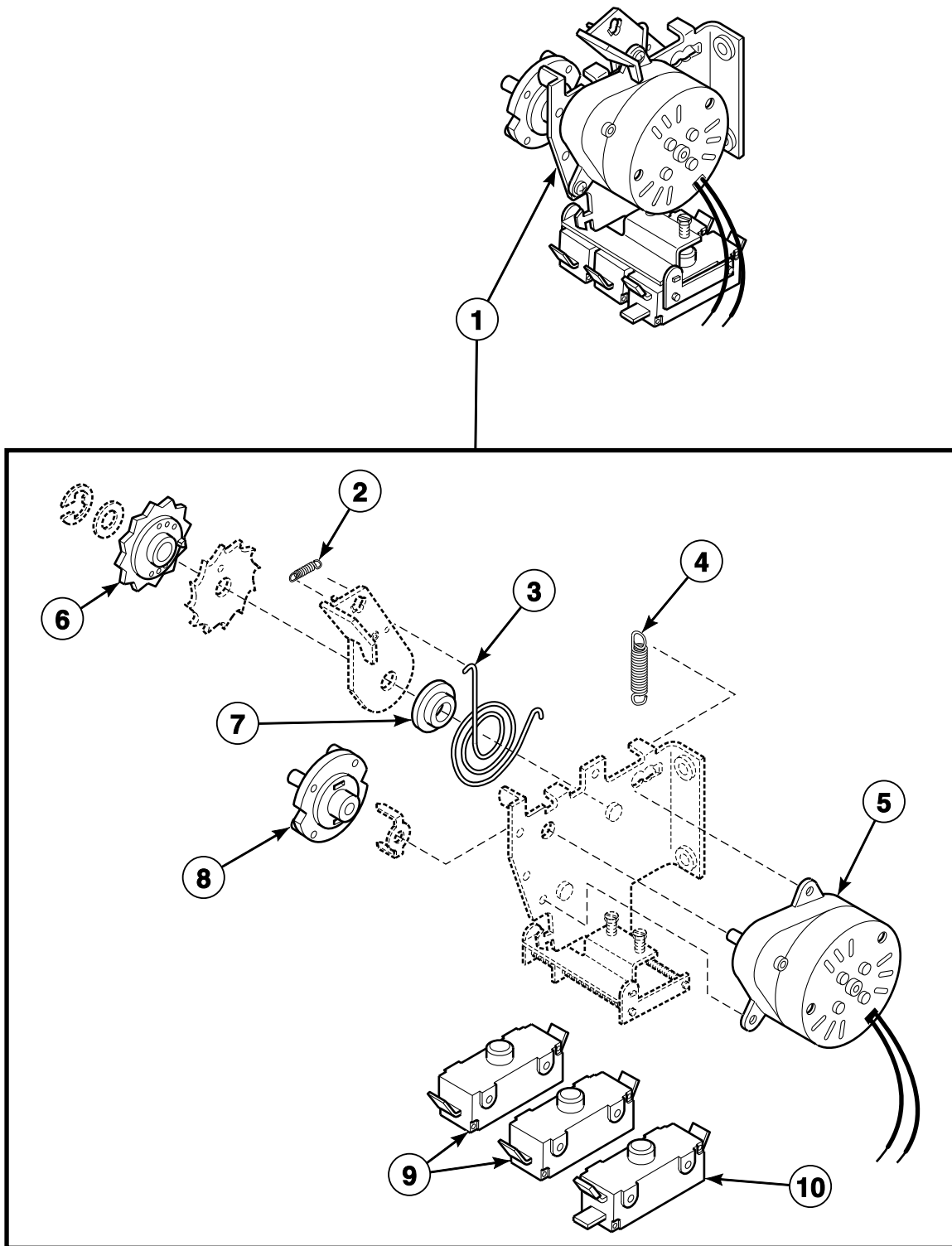
3 Switch Accumulator without Audit

REF	PART NO.	DESCRIPTION	COMMENTS
1	N/A	Timer	Models EE5010-1500, EE5010-3000, EE5110-1500, EE5110-3000, EE5111-1500, EE5111-3000, EE5120-3000, EE5211-1500, EG5020-3000, EG5120-3000, EG5121-3000, EG5121-3058, RG6192-3000, SE1120-1500, ZE5110-2802, ZE5110-2902, ZE5121-1102, ZG5121-1102 and ZG5121-3058
	56303P	Timer	All other models
2	53244	Pawl Spring	
3	53261	Spring	
4	N/A	Index Spring	
5	N/A	Timer Motor	Models EE5010-1500, EE5010-3000, EE5110-1500, EE5110-3000, EE5111-1500, EE5111-3000, EE5120-3000, EE5211-1500, EG5020-3000, EG5120-3000, EG5121-3000, EG5121-3058, RG6192-3000, SE1120-1500, ZE5110-2802, ZE5110-2902, ZE5121-1102, ZG5121-1102 and ZG5121-3058
	512017P	Timer Motor	All other models
6	N/A	Switch	
7	53240	Timing Cam	60 minute; 3 pin
	53241	Timing Cam	45 minute; 4 pin
	53242	Timing Cam	30 minute; 6 pin
	53243	Timing Cam	20 minute; 9 pin
8	N/A	Bushing	
9	53239	Ratchet Wheel	

N/A = Part no longer available

3 Switch Accumulator with Audit

Models EE5510, EE5510-1500 and EG5520



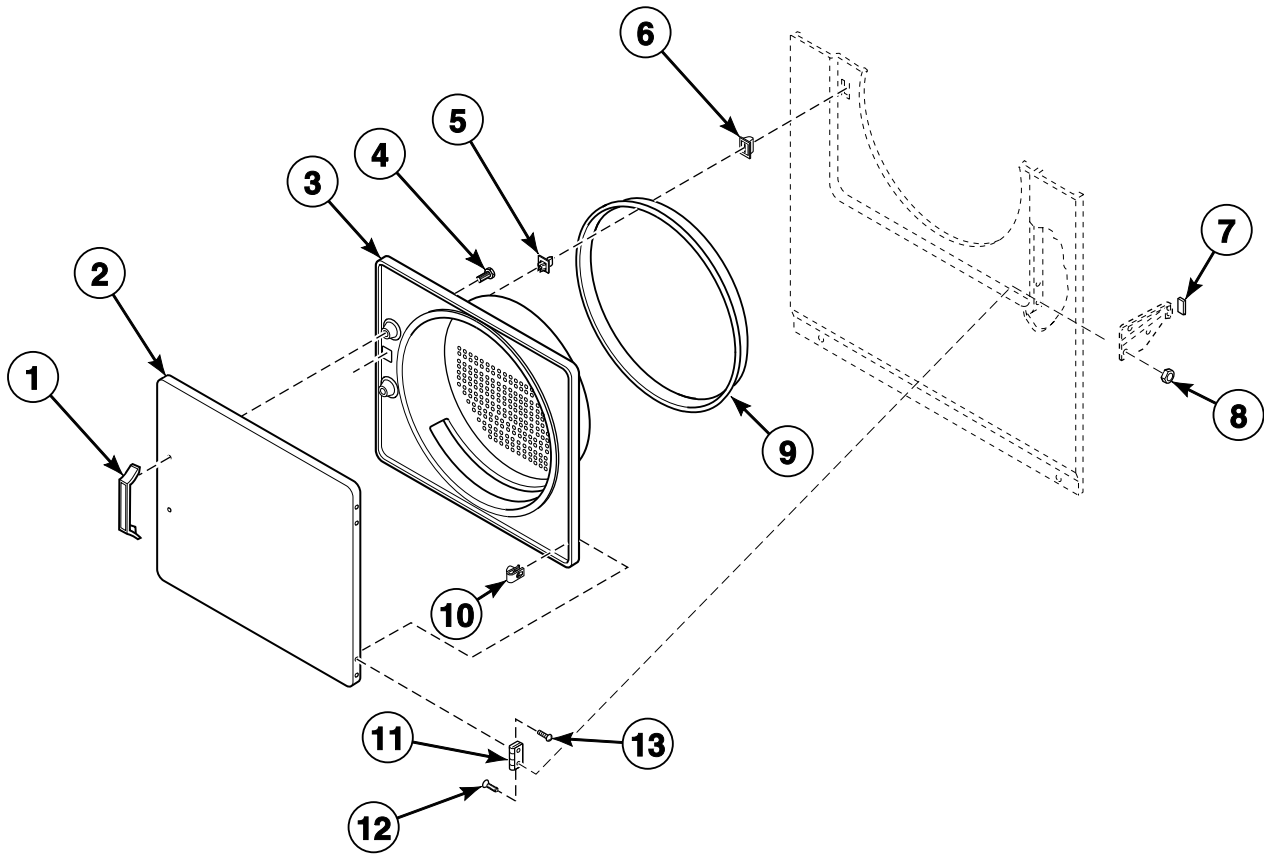
DRY937P_506130

3 Switch Accumulator with Audit

REF	PART NO.	DESCRIPTION	COMMENTS
	510661P	Harness Replacement Kit	Models starting Serial No. S6348564YA
1	510630P	Accumulator Replacement Kit	
2	N/A	Pawl Spring	
3	53261	Spring	
4	N/A	Index Spring	
5	512017P	Timer Motor	
6	53239	Ratchet Wheel	
7	N/A	Bushing	
8	53240	Timing Cam	60 minute; 3 pin
	53241	Timing Cam	45 minute; 4 pin
	53242	Timing Cam	30 minute; 6 pin
	53243	Timing Cam	20 minute; 9 pin
9	N/A	Switch	
10	N/A	Snap Switch	

N/A = Part no longer available

Loading Door without Window



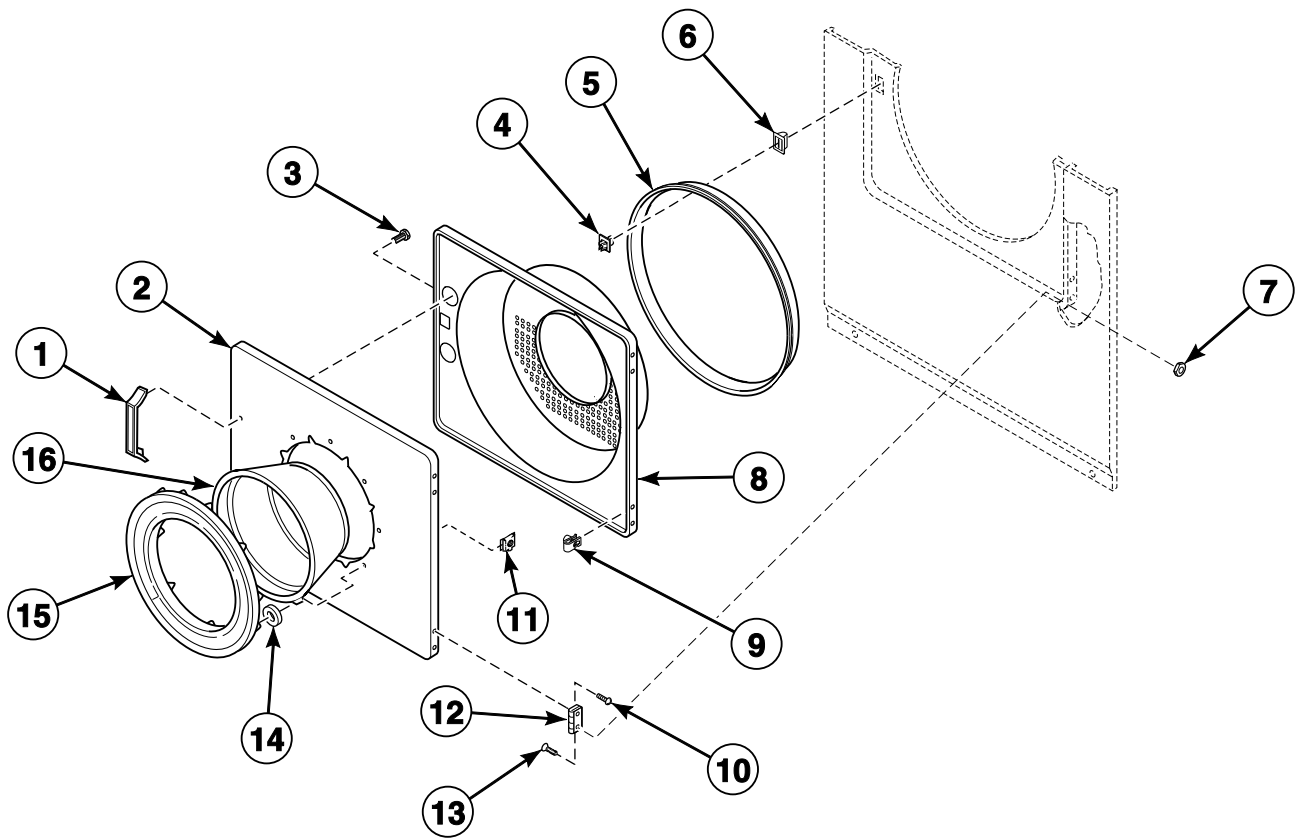
DRY921P_506130

Loading Door without Window

REF	PART NO.	DESCRIPTION	COMMENTS
1	61925	Door Pull	
2	N/A	Door	
3	N/A	Door Liner	
4	502535	Screw	
5	510181	Door Strike	
6	510177	Door Catch Assembly	
7	56128	Bumper Pad	
8	51236	Nut	
9	61379P	Door Seal	
10	23407	Nut	
11	56045	Hinge	
12	22649	Screw	
13	52864	Screw	

N/A = Part no longer available

Loading Door with Window



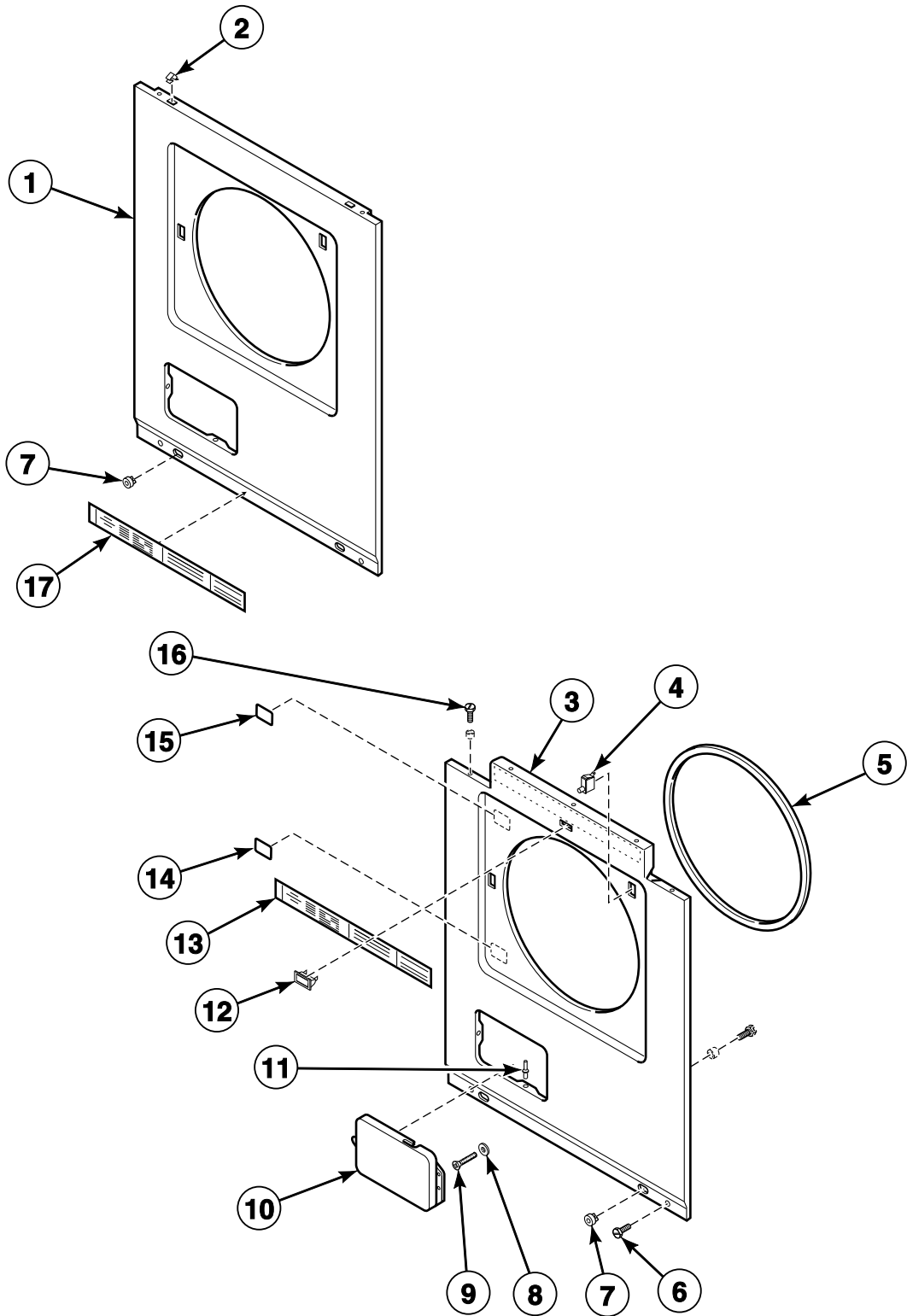
DRY938P_506130

Loading Door with Window

REF	PART NO.	DESCRIPTION	COMMENTS
1	61925	Door Pull	
2	N/A	Door Front	
3	502535	Screw	
4	510181	Door Strike	
5	61379P	Door Seal	
6	510177	Door Catch Assembly	
7	51236	Nut	
8	N/A	Door Liner	
9	23407	Nut	
10	52864	Screw	
11	58030	Nut	
12	56045	Hinge	
13	22649	Screw	
14	23225	Washer	
15	N/A	Dryer Door Trim	
16	N/A	Dryer Door Window	

N/A = Part no longer available

Front Panels



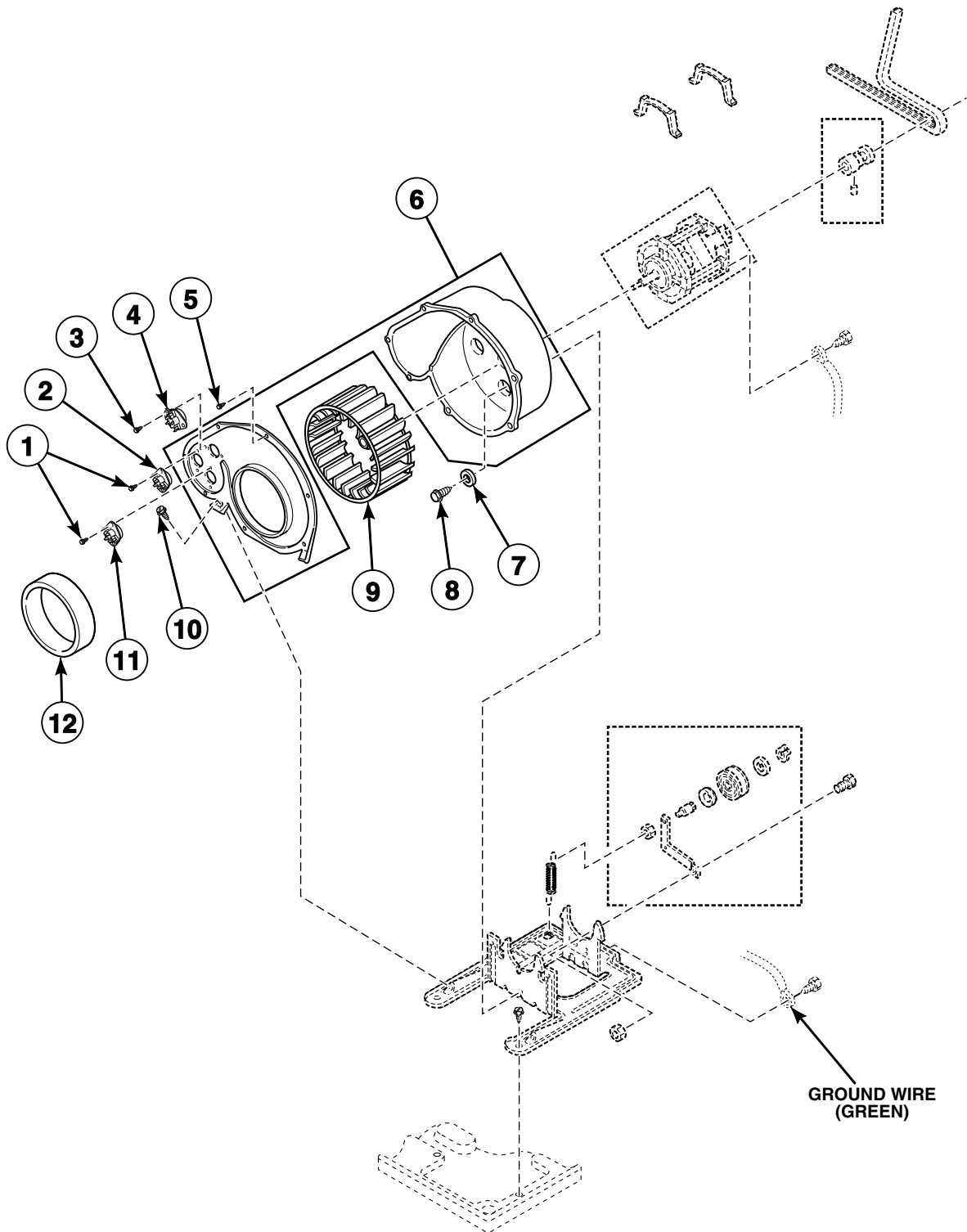
DRY939P_506130

Front Panels

REF	PART NO.	DESCRIPTION	COMMENTS
1	N/A	Front Panel	
2	28835	Speed Clip	
3	N/A	Front Panel Assembly	Lower dryer
4	512973	Switch	
5	61380P	Front Panel Seal	
6	503661	Screw	
7	57916	Lock Plug	
8	21147	Washer	
9	57444	Screw	
10	N/A	Access Door	
11	56534	Support Barrel	
12	N/A	On Indicator Light	
13	N/A	Instruction Plate Sticker	Models RE6130, RE6132, RG6190 and RG6192
14	502804	Clean Lint Label	
15	500281	Warning/Caution Label	
16	39733	Screw	
17	500498	Instructions For Use Label	Models RE6232 and RG6292

N/A = Part no longer available

Blower Fan and Thermostats



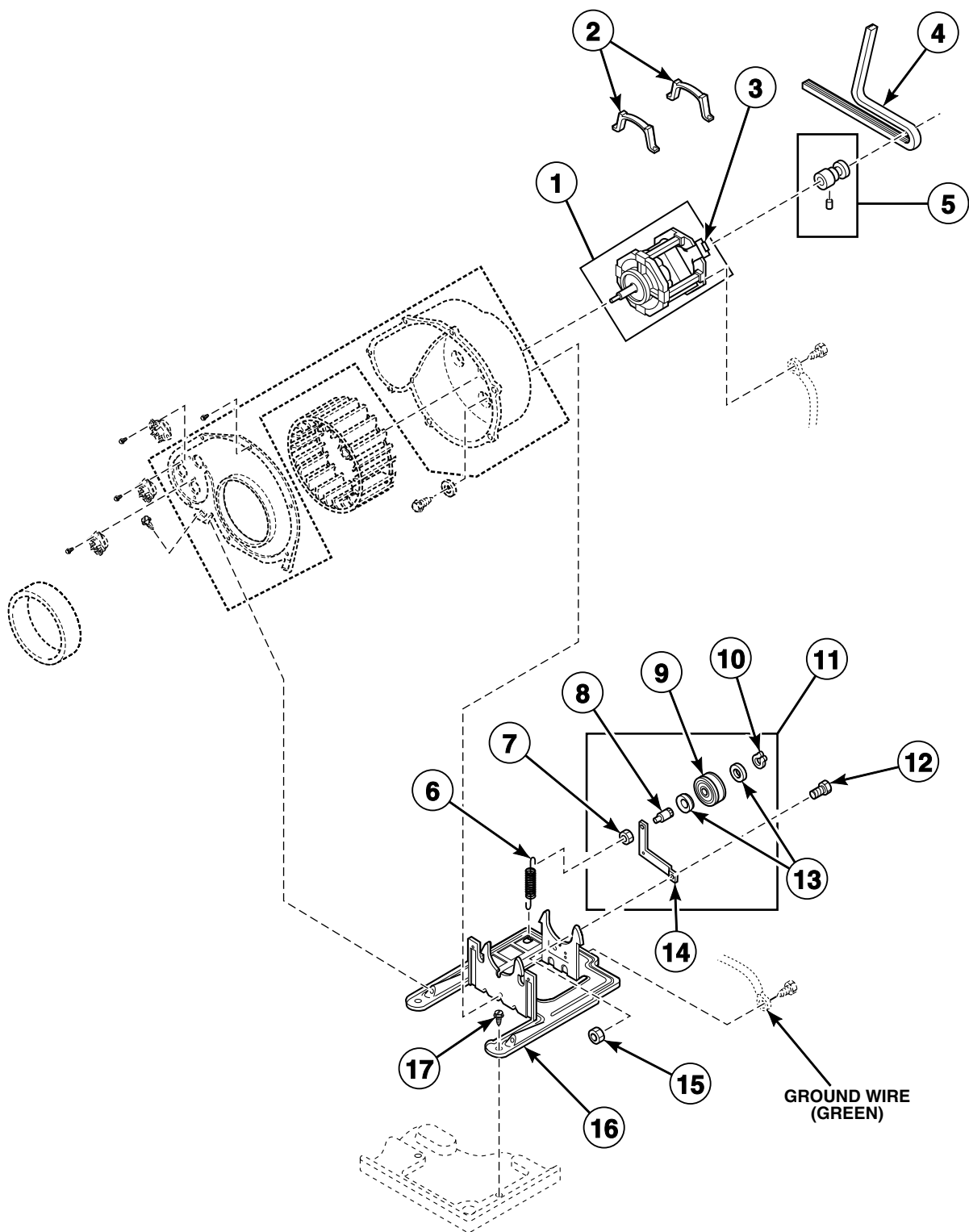
DRY923P_506130

Blower Fan and Thermostats

REF	PART NO.	DESCRIPTION	COMMENTS
	27604P	Anti-Seize Compound	Apply to motor shaft before installing blower fan assembly
1	23222	Screw	Models through Serial No. S6270865XG
	502535	Screw	Models starting Serial No. S6270866XG
2	56410	Thermostat	Models through Serial No. S71V5730
	57015	Thermostat	Models starting Serial No. S71V5731 through Serial No. S6270865XB
	503552	Thermostat	Green; Models starting Serial No. S6270866XG
3	23222	Screw	
4	56278	Thermostat	Models RG5190, RG5192, RG5290, RG5292, RG6190, RG6192, RG6192-3000, RG6292, RG6390, RG6392 and SG5190 through Serial No. S1785730
	N/A	Limit Thermostat	Models RG5190, RG5192, RG5290, RG5292, RG6190, RG6192, RG6192-3000, RG6292, RG6390, RG6392 and SG5190 starting Serial No. S71V5731
5	23962	Screw	
6	511969P	Blower Housing and Cover Kit	
7	20492	Washer	
8	503661	Screw	
9	510139P	Blower Fan Assembly	Apply anti-seize compound to motor shaft before installation
10	501086	Screw	
11	56115	Thermostat Assembly	Models through Serial No. S4768289
	56470	Thermostat	Models starting Serial No. S4768290 through Serial No. S6270865XG
	61623	Thermostat Heater	Models starting Serial No. S6270866XG
12	56065	Seal	

N/A = Part no longer available

Motor and Belt



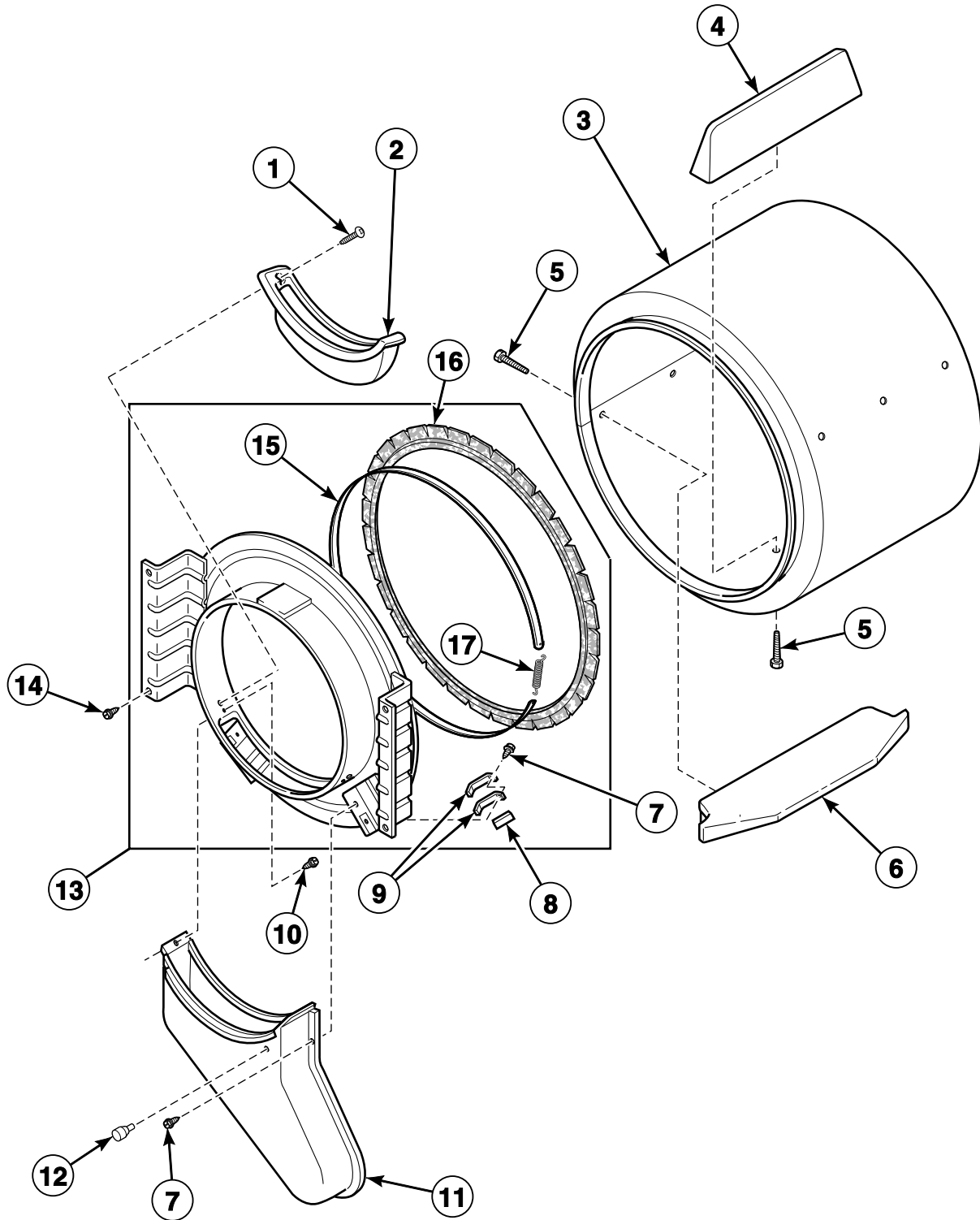
DRY923PA_506130

Motor and Belt

REF	PART NO.	DESCRIPTION	COMMENTS
	27604P	Anti-Seize Compound	Apply to motor shaft before installing blower fan assembly
1	916P3	Motor Kit	240 Volt/50 Hertz; Includes item 9; Apply anti-seize compound to motor shaft before installing blower fan assembly; Models EE5010-3000, EE5110-3000, EE5111-3000, EE5120-3000, EG5020-3000, EG5120-3000, EG5121-3000, EG5121-3058, RG6192-3000 and ZG5121-3058
	915P3	Motor Kit	120 Volt/60 Hertz; Includes item 9; Apply anti-seize compound to motor shaft before installing blower fan assembly; All other models
2	510180	Motor Mount Clamp	
3	N/A	Motor Switch	
4	56095P	Cylinder Belt	Models through Serial No. S12B61330
	511255P	Cylinder Belt	Models starting Serial No. S12B61331
5	56447	Motor Pulley Assembly	50 Hertz; Models EE5010-3000, EE5110-3000, EE5111-3000, EE5120-3000, EG5020-3000, EG5120-3000, EG5121-3000, EG5121-3058, RG6192-3000 and ZG5121-3058 through Serial No. S12B61330
	56062P	Motor Pulley Kit	60 Hertz; All other models through Serial No. S12B61330
	N/A	Motor Pulley Kit	Models starting Serial No. S12B61331
6	510185	Idler Spring	
7	56156	Nut	
8	56461P	Shaft	
9	510142P	Idler Wheel and Bearing Assembly	
10	23748	Retaining Ring	
11	511227	Motor Mount and Idler Assembly	
12	N/A	Bolt	
13	52549	Washer	
14	N/A	Idler Lever	
15	52566	Nut	
16	510060	Motor Mount	
17	503661	Screw	

N/A = Part no longer available

Front Bulkhead, Air Duct, Felt Seal and Cylinder



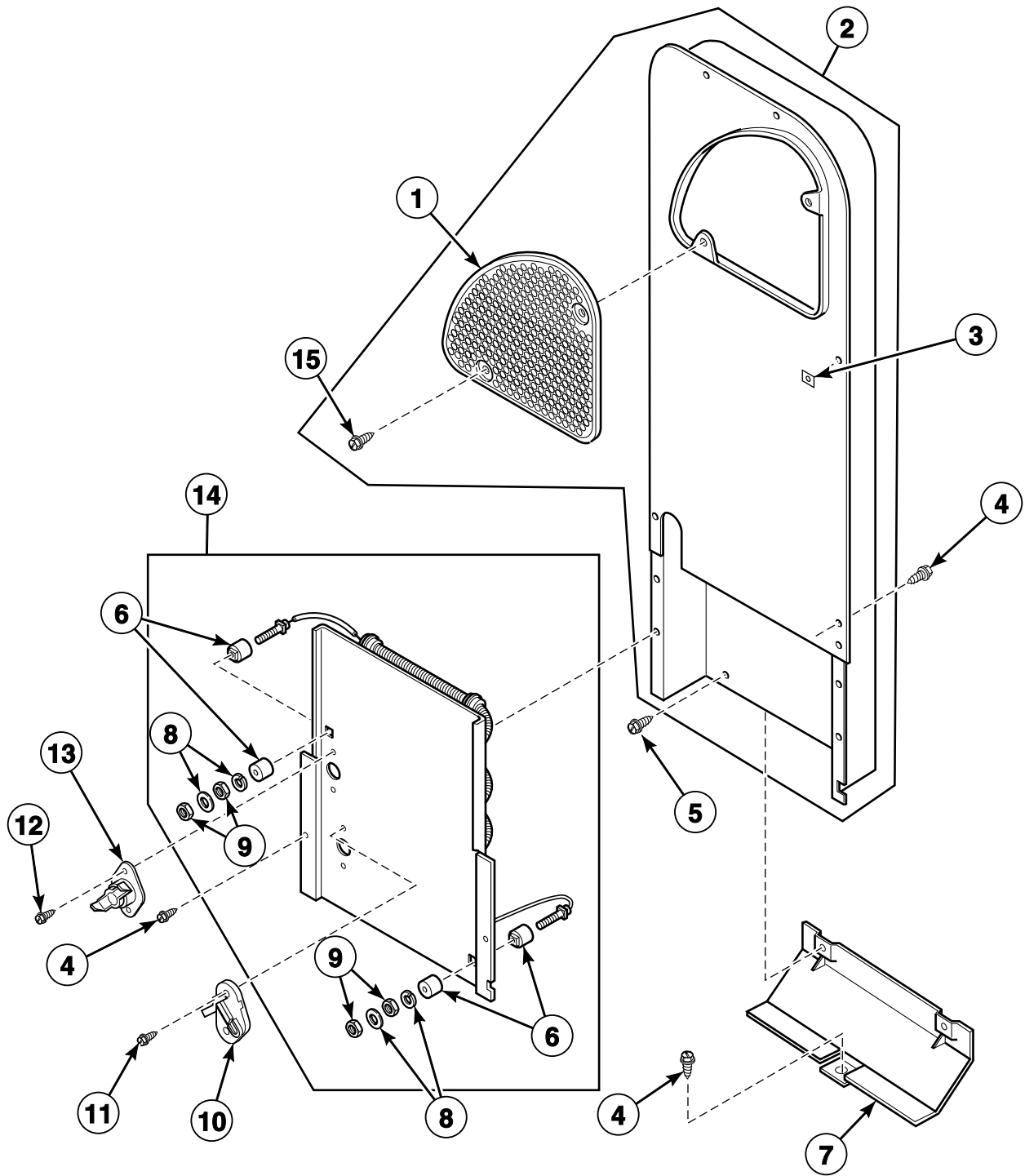
DRY940P_506130

Front Bulkhead, Air Duct, Felt Seal and Cylinder

REF	PART NO.	DESCRIPTION	COMMENTS
1	25232	Screw	Use with item 2
2	61376P	Lint Filter	
3	N/A	Cylinder Assembly	
4	61399	Cylinder Baffle	Short; 2 required
5	62588	Screw	
6	61027	Cylinder Baffle	Extended; Use with item 3; 1 required
7	23962	Screw	
8	58049	Thin Pad	
9	57005	Cylinder Glide	2 required; Replace thin pad also
10	502535	Screw	
11	60786	Air Duct Assembly	
12	N/A	Bumper	
13	N/A	Front Bulkhead Assembly	
14	503661	Screw	
15	56090P	Seal Strap	
16	56088P	Seal Assembly	
17	52310	Spring	

N/A = Part no longer available

Heater Duct - Electric Models



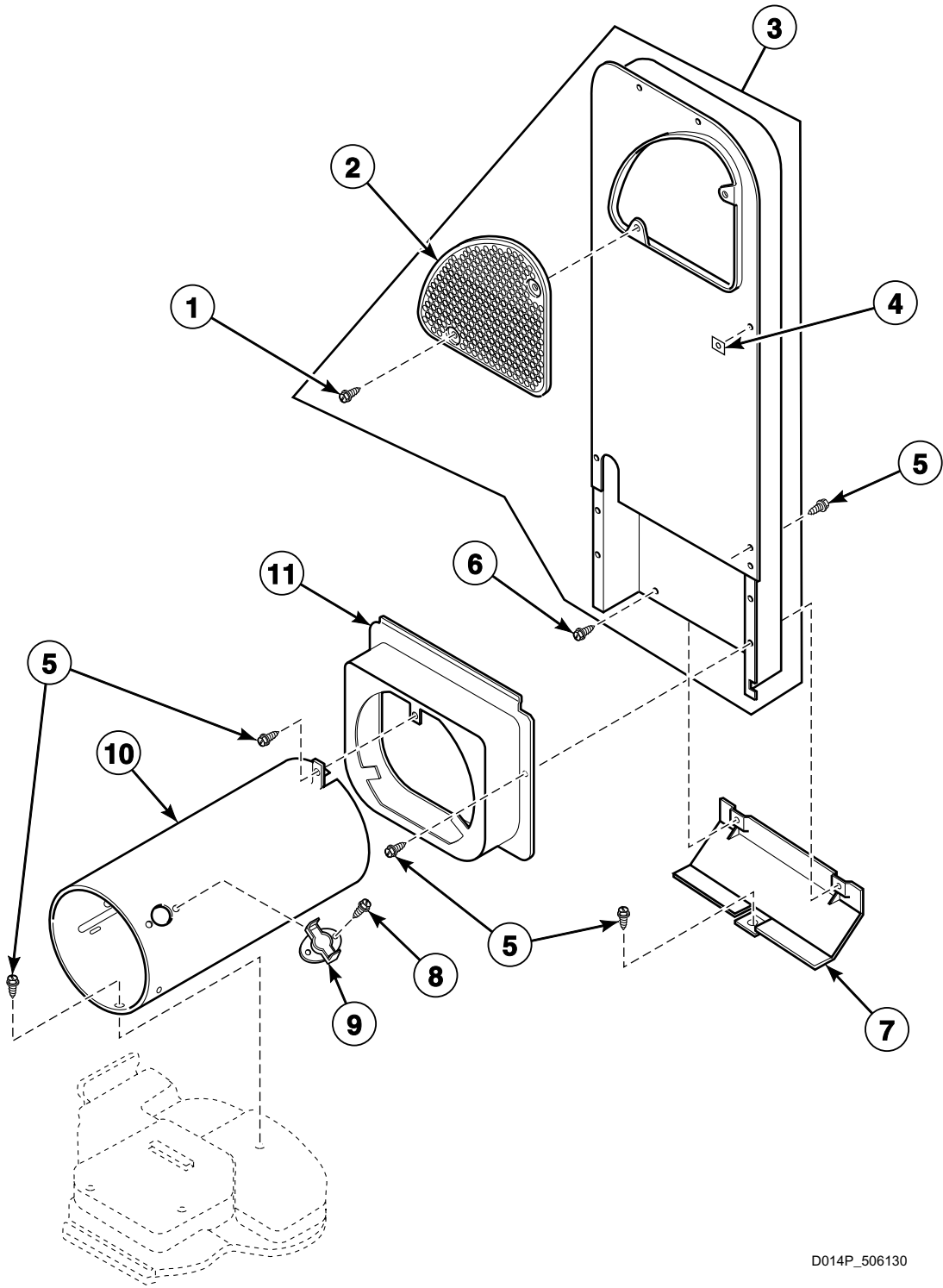
DRY1203P_506130

Heater Duct - Electric Models

REF	PART NO.	DESCRIPTION	COMMENTS
1	500820	Outlet Cover	
2	510025P	Heater Duct and Screw Assembly	Includes items 1, 3 and 15
3	81207	Nut	
4	503661	Screw	Use with item 7
5	51780	Screw	
6	N/A	Terminal Bushings Assembly	Male
7	N/A	Heat Duct Shield	
8	56552	Washer	
9	Q6163	Nut	
10	511412	Thermal Fuse Assembly	Models starting Serial No. S6270866XG
11	56693	Screw	
12	23222	Screw	
13	56082	Limit Thermostat	Models through Serial No. S6270865XG
	510701	Limit Thermostat	Models starting Serial No. S6270866XG
14	61928	Heater Kit Assembly	208 Volt; 4.75 kW
	61927	Heater Kit Assembly	240 Volt; 5.0 kW
	61929	Heater Kit Assembly	240 Volt; 4.8 kW
	61930	Heater Kit Assembly	240 Volt; 4.0 kW
	61931	Heater Kit Assembly	240 Volt; 3.1 kW
15	502535	Screw	

N/A = Part no longer available

Heater Duct - Gas Models



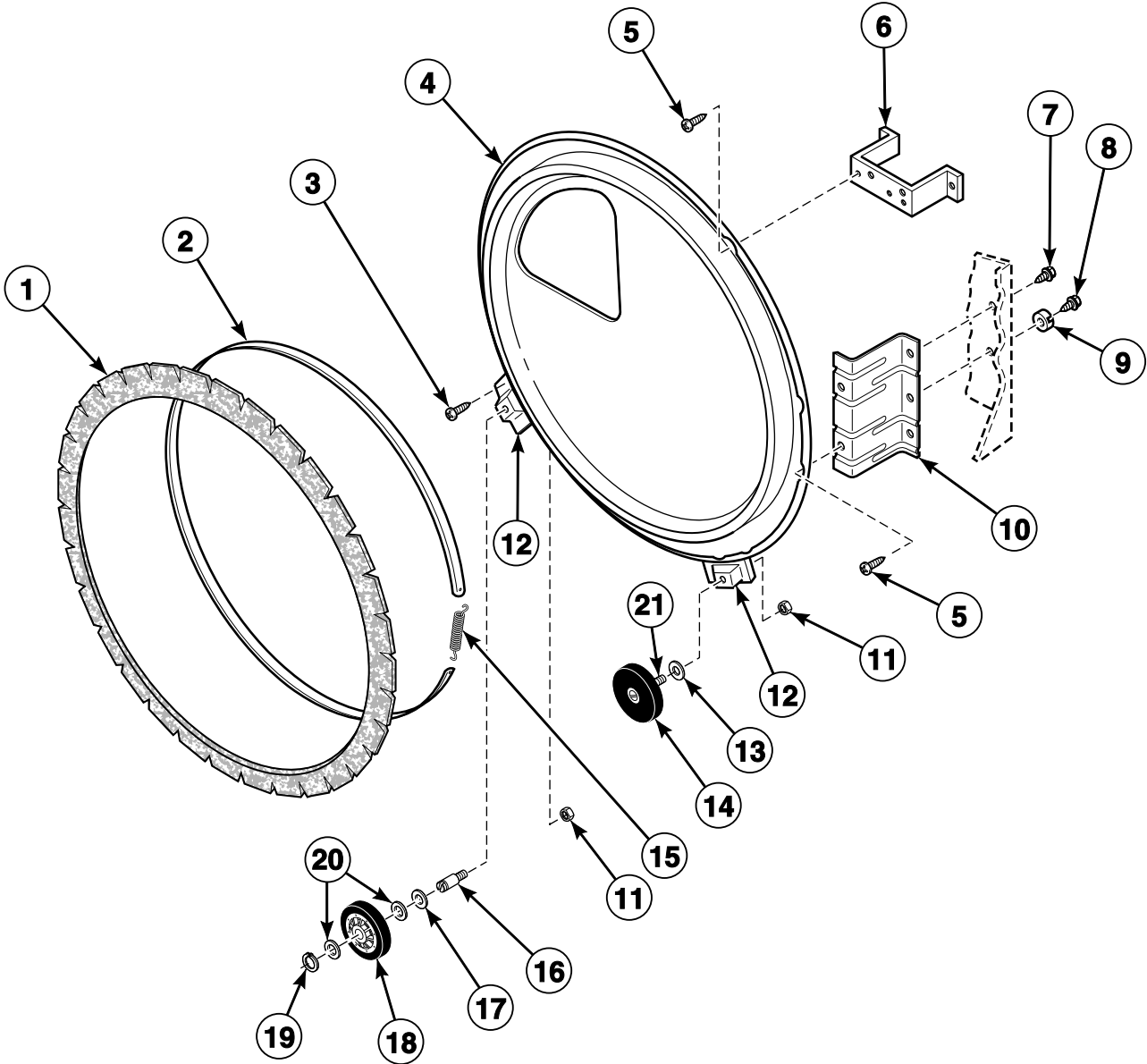
D014P_506130

Heater Duct - Gas Models

REF	PART NO.	DESCRIPTION	COMMENTS
1	502535	Screw	
2	500820	Outlet Cover	
3	510025P	Heater Duct and Screw Assembly	Includes items 1, 2 and 4
4	81207	Nut	
5	503661	Screw	
6	51780	Screw	
7	N/A	Heat Duct Shield	
8	23222	Screw	
9	489P3	Thermostat and Plate Kit	
10	N/A	Combustion Duct	
11	510101	Heat Duct Shroud	

N/A = Part no longer available

Rear Bulkhead, Felt Seal and Cylinder Roller



DRY926P_506130

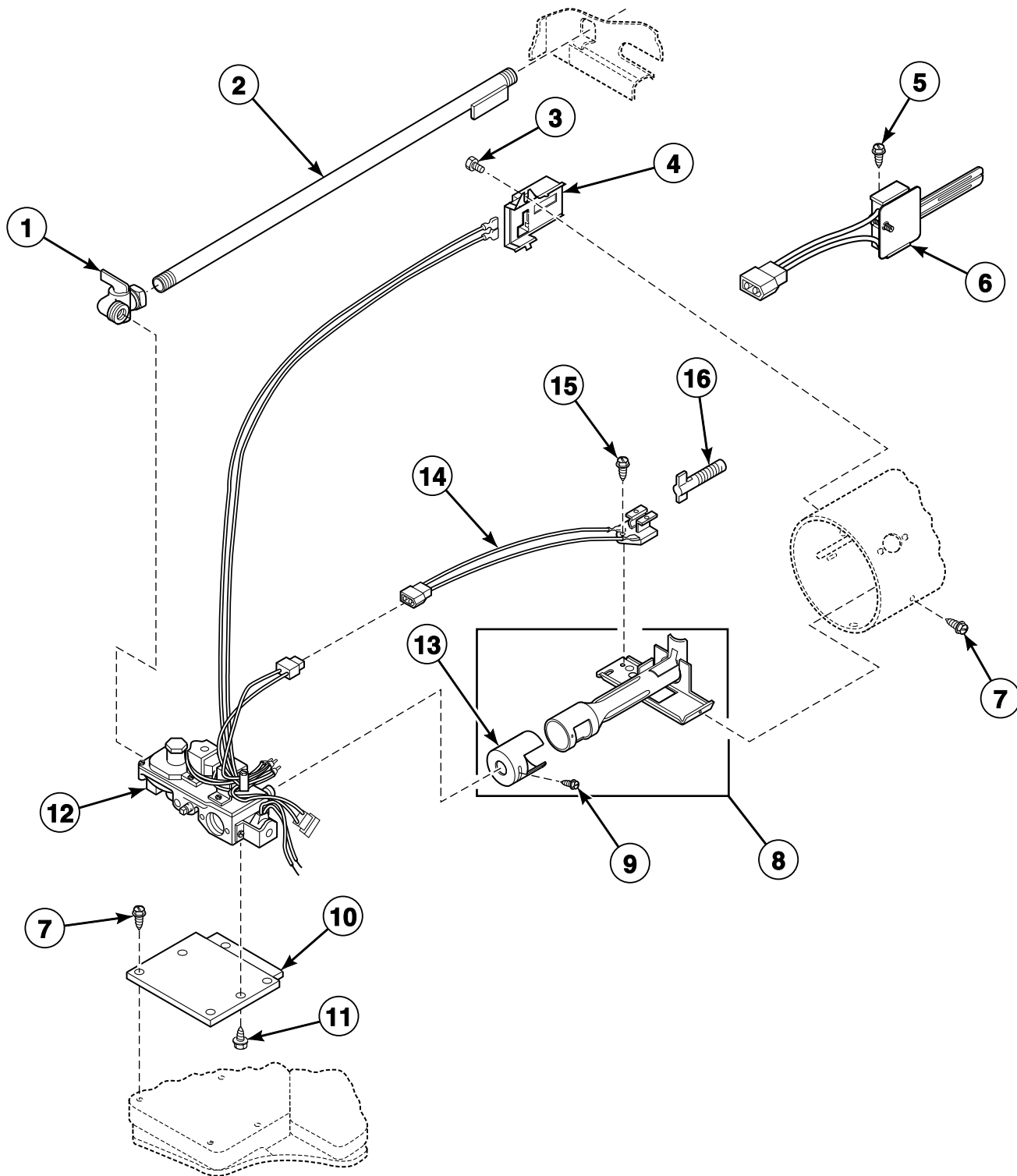
Rear Bulkhead, Felt Seal and Cylinder Roller

REF	PART NO.	DESCRIPTION	COMMENTS
1	56088P	Seal Assembly	
2	56090P	Seal Strap	
3	502535	Screw	
4	N/A	Rear Bulkhead Assembly	
5	M400664	Screw	
6	N/A	Terminal Block Bracket	
7	503661	Screw	
8	52909	Screw	Green
9	51474	Washer	
10	N/A	Rear Bulkhead Bracket	
11	56156	Nut	Models through Serial No. 9203000758
12	N/A	Cylinder Roller Bracket	Models starting Serial No. S6270866XG
13	20279	Washer	Models through Serial No. 9203000758
14	56285	Cylinder Roller	Models through Serial No. 9203000758
15	52310	Spring	
16	56461P	Shaft	Models starting Serial No. 9203000759
17	23886	Washer	Models starting Serial No. 9203000759
18	62649P	Cylinder Roller Kit	Models starting Serial No. 9203000759
19	23748	Retaining Ring	Models starting Serial No. 9203000759
20	52549	Washer	Models starting Serial No. 9203000759
21	51780	Screw	

N/A = Part no longer available

Gas Valve, Igniter and Gas Conversion Kits

Models RG5190, RG5192, RG5290, RG5292, RG6190, RG6192, RG6192-3000, RG6292, RG6390, RG6392 and SG5190



DRY941P_506130

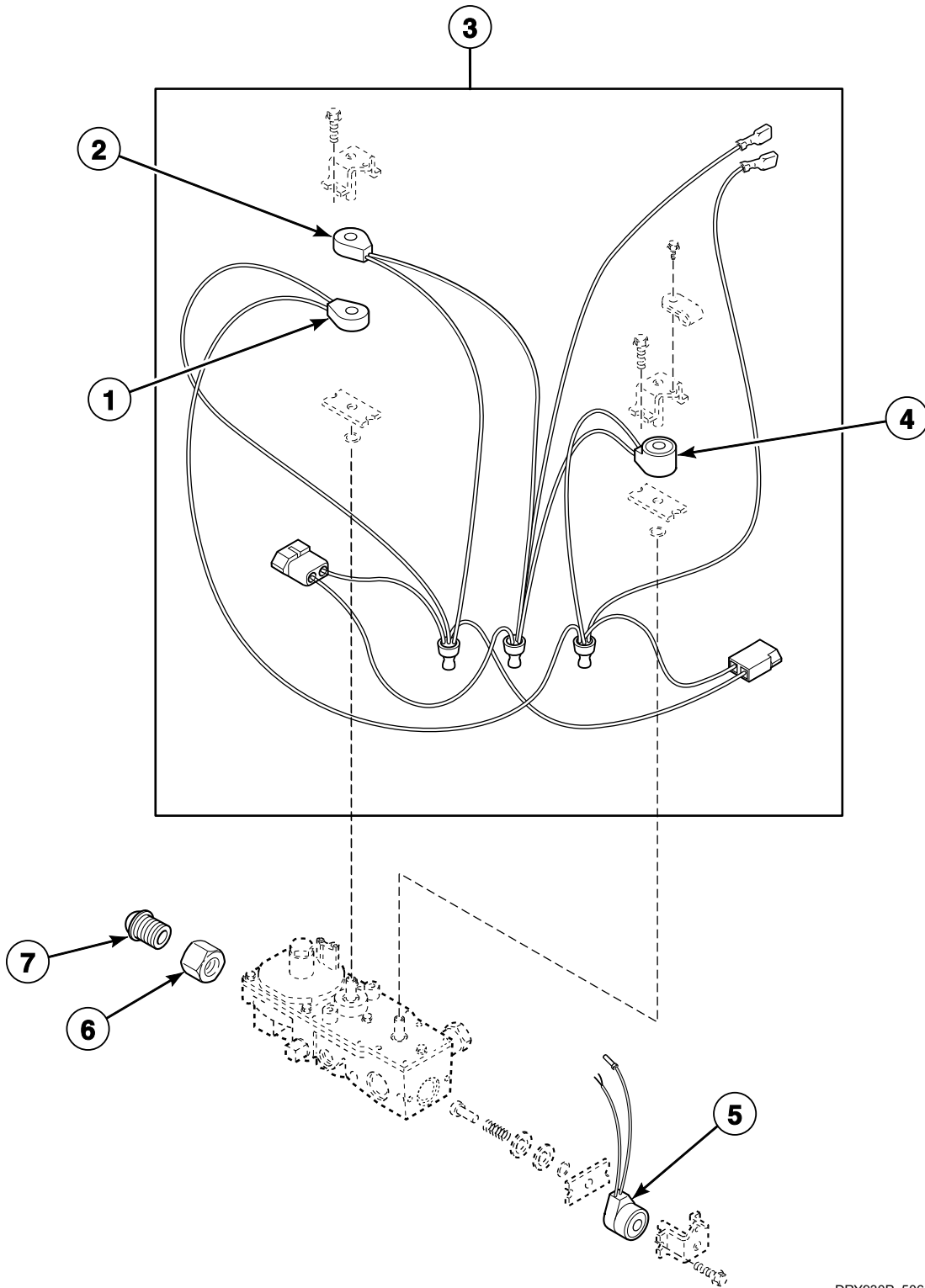
Gas Valve, Igniter and Gas Conversion Kits

REF	PART NO.	DESCRIPTION	COMMENTS
1	510205	Elbow Shut-Off Valve	
2	N/A	Lead-In Pipe Assembly	
3	23222	Screw	
4	510213	Sensor	
5	56693	Screw	
6	510184P	Igniter and Bracket Assembly	
7	503661	Screw	
8	510149P	Burner Assembly	
9	N/A	Screw	
10	N/A	Valve Mounting Bracket	
11	56124	Screw	
12	N/A	Gas Valve Assembly	Model RG6192-3000
	462P3	Gas Valve Conversion Kit	N.G.; 60 Hertz; Replaces 56279 Gas Valve Assembly; All other models
13	N/A	Air Shutter	
14	M409136	Spring and Connector Assembly	
15	N/A	Screw	
16	55438P	Igniter	

N/A = Part no longer available

56279 Gas Valve Assembly

Models RG5190, RG5192, RG5290, RG5292, RG6190, RG6192, RG6192-3000, RG6292, RG6390, RG6392 and SG5190



DRY930P_506130

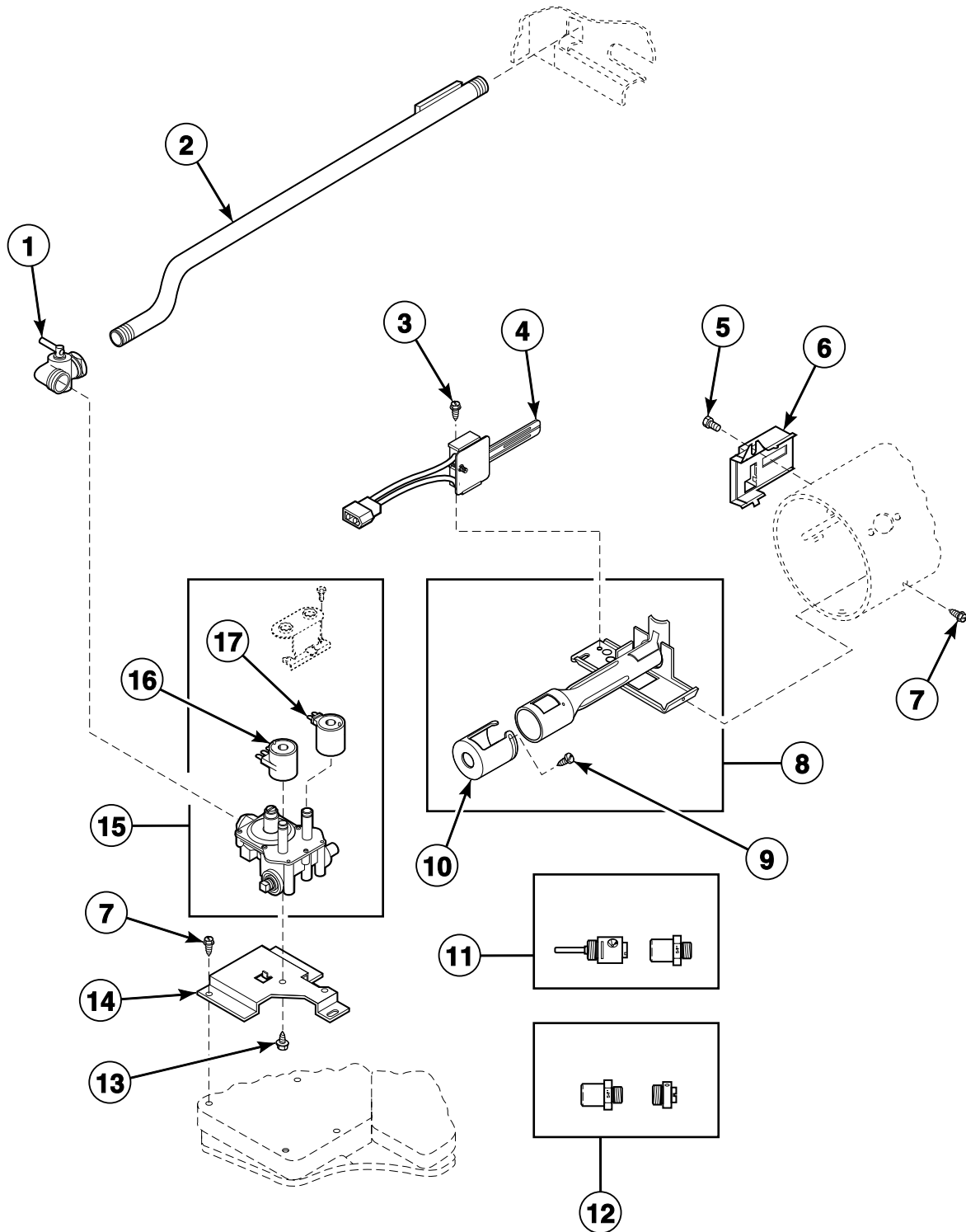
56279 Gas Valve Assembly

REF	PART NO.	DESCRIPTION	COMMENTS
1	56225C	Booster Coil	
2	56225B	Holding Coil	
3	N/A	Gas Valve Coil	Model RG6192-3000
	56225A	Coil Assembly Kit	All other models
4	56225D	Secondary Coil	
5	N/A	Dual Input Coil	Model RG6192-3000
	55972A	Dual Input Coil	All other models
6	N/A	Nut	
7	N/A	Nipple	

N/A = Part no longer available

Gas Valve

Models EG5020, EG5020-3000, EG5120, EG5120-3000, EG5121, EG5121-3000,
EG5121-3058, EG5520, ZG5121-1102 and ZG5121-3058



DRY2053P_506130

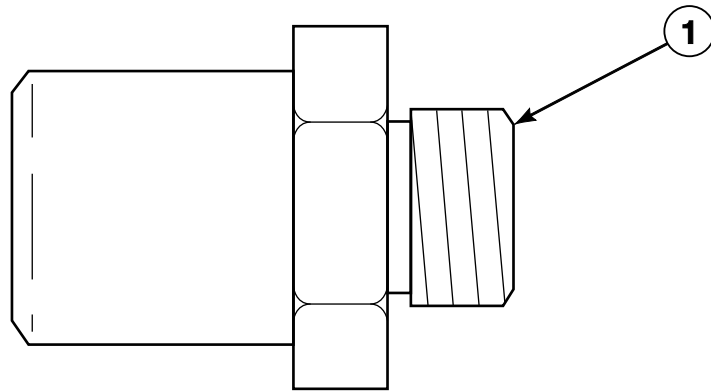
Gas Valve

REF	PART NO.	DESCRIPTION	COMMENTS
1	510205	Elbow Shut-Off Valve	
2	N/A	Lead-In Pipe Assembly	
3	56693	Screw	
4	510184P	Igniter and Bracket Assembly	
5	23222	Screw	
6	510213	Sensor	
7	503661	Screw	
8	510149P	Burner Assembly	
9	N/A	Screw	
10	N/A	Air Shutter	
11	458P3	L.P. Conversion Kit	Used to convert dryers from Natural Gas (N.G.) or Mixed Gas to Liquid Petroleum Gas (L.P.)
12	459P3	N.G. Conversion Kit	Used to convert dryers from L.P. to N.G. or Mixed Gas
13	56124	Screw	
14	510128	Gas Valve Mounting Bracket	
15	60443P	Valve Assembly	Models EG5020-3000, EG5120-3000, EG5121-3000 and EG5121-3058; 50 Hertz; 25,000 Btu
	60353P	Gas Valve Assembly	N.G or Mixed Gas; All other models; 60 Hertz; 25,000 Btu
16	59063A	Booster and Holding Coil	Models EG5020-3000, EG5120-3000, EG5121-3000 and EG5121-3058
	58804A	Booster and Holding Coil	All other models
17	59063B	Secondary Coil	Models EG5020-3000, EG5120-3000, EG5121-3000 and EG5121-3058
	58804B	Secondary Coil	All other models

N/A = Part no longer available

Burner Orifice Spuds - For Higher Elevations

Models EG5020, EG5020-3000, EG5120, EG5120-3000, EG5121, EG5121-3000,
EG5121-3058, EG5520, ZG5121-1102 and ZG5121-3058

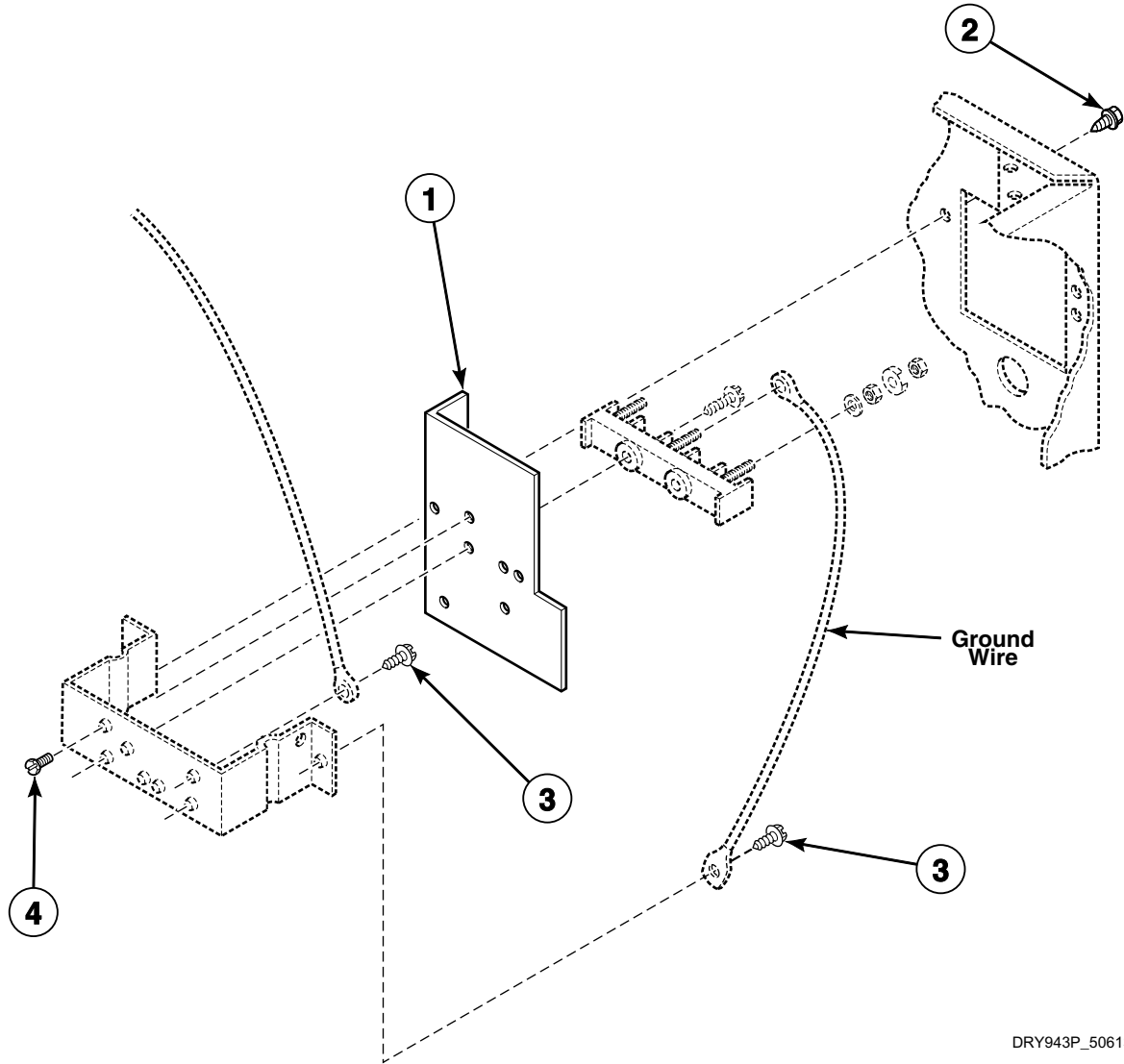


DRY2266P_506130

Burner Orifice Spuds - For Higher Elevations

REF	PART NO.	DESCRIPTION	COMMENTS
1	58755	L.P. Orifice	Liquid Petroleum Gas (L.P.); 7500-10999 feet (2290-3354 m)
	503786	L.P. Orifice	L.P.; 11000 feet (3355 m) and higher
	503776	N.G. Orifice	Natural Gas (N.G.); 2000-2999 feet (610-914 m)
	510517	N.G. Orifice	N.G.; 3000-5499 feet (915-1679 m)
	503778	N.G. Orifice	N.G.; 5500-6999 feet (1680-2134 m)
	58719	Screw Orifice	N.G.; 7000-8999 feet (2135-2744 m)
	503779	N.G. Orifice	N.G.; 9000-10499 feet (2745-3199 m)
	503780	N.G. Orifice	N.G.; 10500 feet (3200 m) and higher

Terminal Block - Models Through Serial No. S6270865XG

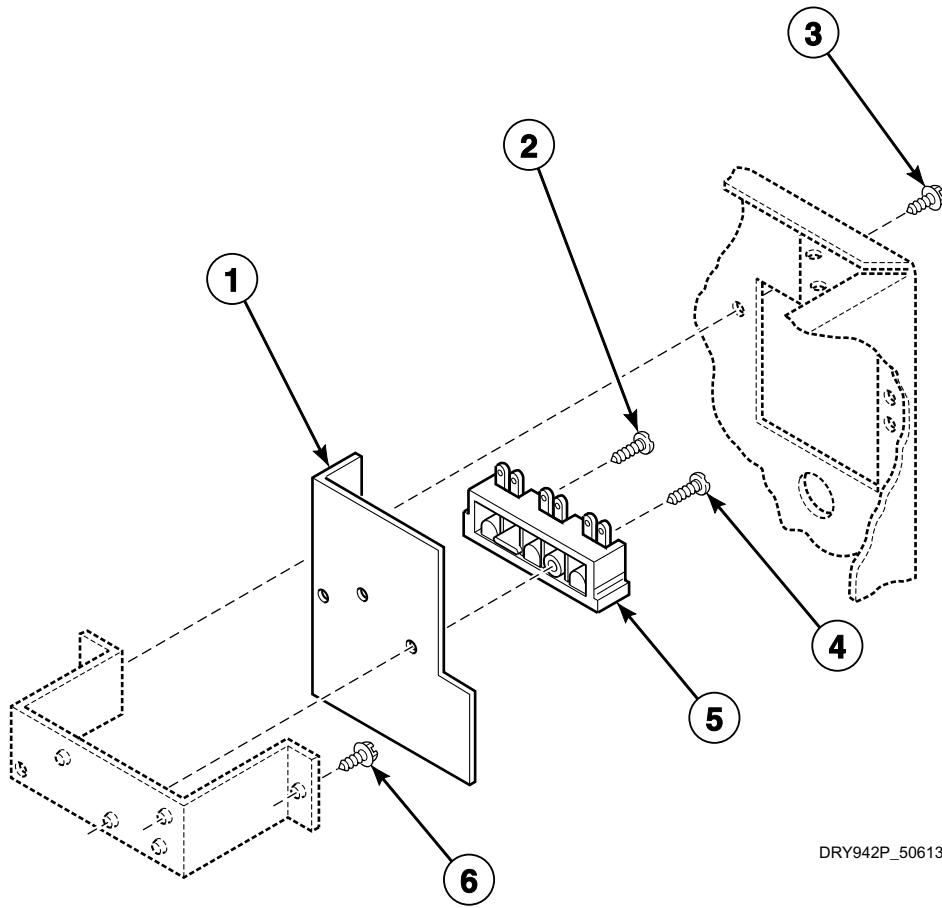


DRY943P_506130

Terminal Block - Models Through Serial No. S6270865XG

REF	PART NO.	DESCRIPTION	COMMENTS
1	56087	Terminal Block Shield	
2	503661	Screw	
3	20530	Screw	
4	501285	Screw	

Terminal Block - Models Starting Serial No. S6270866XG

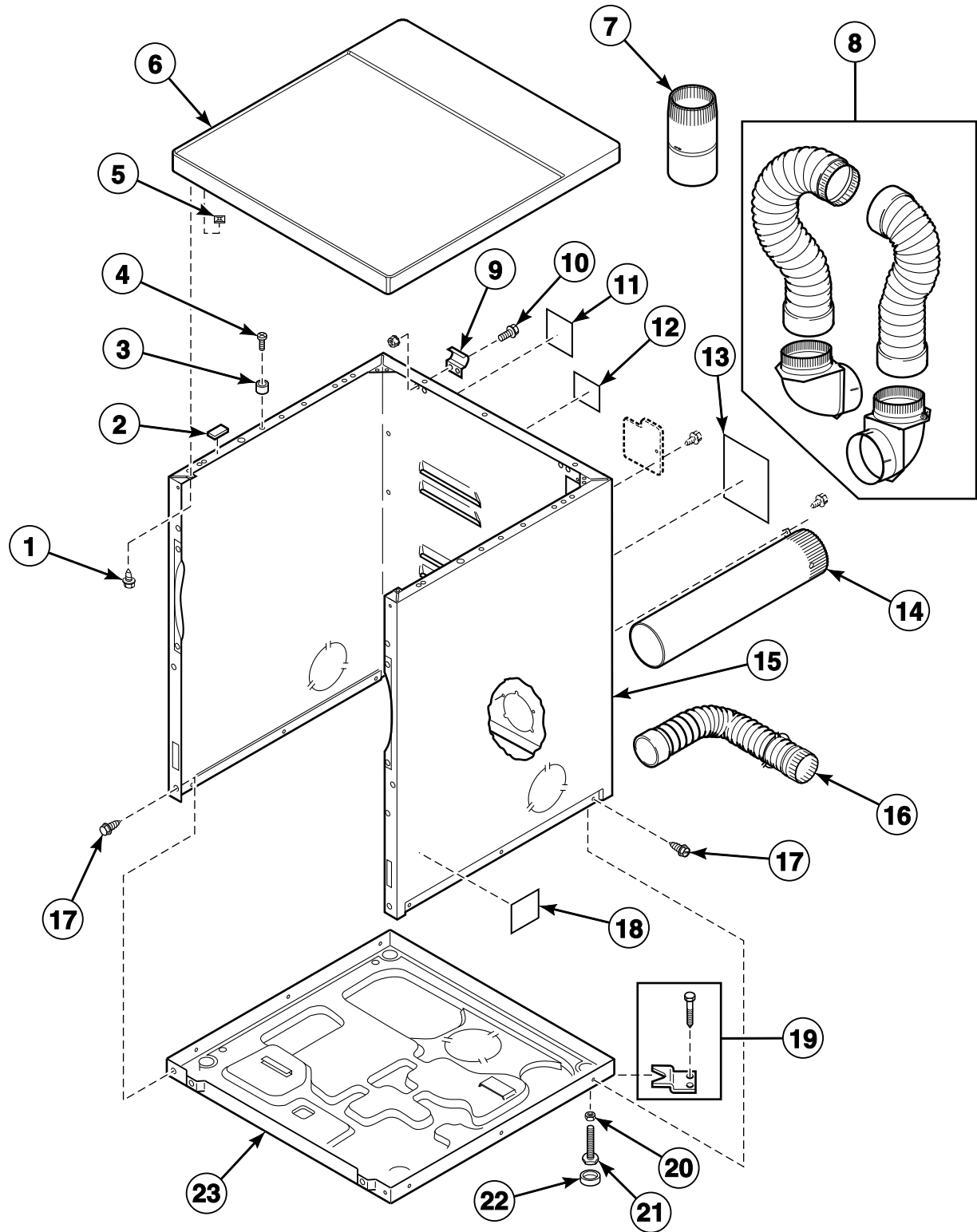


DRY942P_506130

Terminal Block - Models Starting Serial No. S6270866XG

REF	PART NO.	DESCRIPTION	COMMENTS
1	56087	Terminal Block Shield	
2	61199	Screw	
3	503661	Screw	
4	501285	Screw	
5	510190P	Terminal Block Assembly	Includes 3 of item 2
6	52909	Screw	

Exhaust Duct and Cabinet Base



DRY2054P_506130

Exhaust Duct and Cabinet Base

REF	PART NO.	DESCRIPTION	COMMENTS
1	23008	Screw	
2	56128	Bumper Pad	
3	56079	Panel Locator	
4	39733	Screw	
5	36020	Nut	
6	N/A	Top Panel Assembly	Upper dryer
7	58786	Damper	Use when connecting to a manifold vent system
8	521P3	Flexible Venting Kit	
9	N/A	Top Hinge	
10	503661	Screw	
11	511004	Gas Clearance Label	Gas models
12	505281	Disconnect Power Warning Label	
13	511005	Electric Clearance Label	Electric models
14	N/A	Exhaust Duct Assembly	
15	N/A	Dryer Cabinet Assembly	
16	528P3	Directional Exhaust Kit	Used to vent dryer out the sides or bottom
17	52909	Screw	
18	N/A	Notice Seal Sticker	
19	526P3	Hold Down Kit	For mobile home installations
20	20274	Nut	
21	52696	Screw	
22	34318	Rubber Foot	
23	N/A	Base Assembly	

N/A = Part no longer available

Wire Harnesses and Wires

PART NO.	DESCRIPTION	COMMENTS
N/A	Wire Harness Assembly	
45001	18 Gauge Wire	Black; Order wire by foot; Order terminals and connectors as required.
45380	12 Gauge Wire	Orange; Order wire by foot; Order terminals and connectors as required.

N/A = Part no longer available

NOTE: Individual wires are not available separately. Order complete harness, or order wire by the foot. When applying terminals to wires, it is recommended that the terminals be soldered to the wires.

Parts Index

A

Accumulator Replacement Kit	
510628P.....	15
510629P.....	15
510630P.....	19
Air Duct Assembly	
60786.....	31
Anti-Seize Compound	
27604P.....	27, 29

B

Blower Fan Assembly	
510139P.....	27
Blower Housing and Cover Kit	
511969P.....	27
Booster and Holding Coil	
58804A.....	43
59063A.....	43
Booster Coil	
56225C.....	41
Bumper Pad	
56128.....	21, 51
Burner Assembly	
510149P.....	39, 43
Bushing	
JA-15762.....	7

C

Cable Clip	
21036.....	5
Clean Lint Label	
502804.....	25
Coil Assembly Kit	
56225A.....	41
Coin Slide Guard	
56703.....	7
58181.....	5
Counter Kit	
62113P.....	5
Cylinder Baffle	
61027.....	31
61399.....	31
Cylinder Belt	
511255P.....	29
56095P.....	29
Cylinder Glide	
57005.....	31
Cylinder Roller	
56285.....	37
Cylinder Roller Kit	
62649P.....	37

D

Damper	
58786.....	51
Directional Exhaust Kit	
528P3.....	51
Disconnect Power Warning Label	
505281.....	51
Door Catch Assembly	
510177.....	21, 23
Door Pull	
61925.....	21, 23
Door Seal	
61379P.....	21, 23
Door Strike	
510181.....	21, 23
Dual Input Coil	
55972A.....	41

E

Elbow Shut-Off Valve	
510205.....	39, 43
Electric Clearance Label	
511005.....	51

F

Flexible Venting Kit	
521P3.....	51
Front Panel Seal	
61380P.....	25

G

Gas Clearance Label	
511004.....	51
Gas Valve Assembly	
60353P.....	43
Gas Valve Conversion Kit	
462P3.....	39
Gas Valve Mounting Bracket	
510128.....	43

H

Harness Replacement Kit	
510534P.....	15
510661P.....	19
Heat Duct Shroud	
510101.....	35
Heater Duct and Screw Assembly	
510025P.....	33, 35

N/A items do not appear in index.

Heater Kit Assembly	
61927	33
61928	33
61929	33
61930	33
61931	33

Hinge	
56045	21, 23

Hold Down Kit	
526P3	51

Holding Coil	
56225B	41

I

Idler Spring	
510185	29

Idler Wheel and Bearing Assembly	
510142P	29

Igniter	
55438P	39

Igniter and Bracket Assembly	
510184P	39, 43

Instructions For Use Label	
500498	25

K

Key	
54612	5, 11

L

Latch Relay	
30616	11

Limit Thermostat	
510701	33
56082	33

Lint Filter	
61376P	31

Lock Plug	
57916	25

L.P. Conversion Kit	
458P3	43

L.P. Orifice	
503786	45
58755	45

M

Motor Kit	
915P3	29
916P3	29

Motor Mount	
510060	29

Motor Mount and Idler Assembly	
511227	29

Motor Mount Clamp	
510180	29

Motor Pulley Assembly	
56447	29

Motor Pulley Kit	
56062P	29

N

Nut	
Q6163	33
20274	51
20275	11
23407	21, 23
24205	5, 9, 11, 13
36020	51
51236	7, 11, 21, 23
52566	29
52947	5, 9, 11, 13
56156	29, 37
58030	23
81207	33, 35

N.G. Conversion Kit	
459P3	43

N.G. Orifice	
503776	45
503778	45
503779	45
503780	45
510517	45

O

Outlet Cover	
500820	33, 35

P

Panel Locator	
56079	51

Pawl Spring	
53244	17

R

Ratchet Wheel	
53239	15, 17, 19

Retaining Ring	
23748	29, 37

Rubber Foot	
34318	51

S

Screw	
M400664	37
M405936	11, 13
02916	11
03203	9, 11, 13
20530	47
22649	21, 23
23008	51

N/A items do not appear in index.

23222	11, 27, 33, 35, 39, 43
23962	27, 31
25232	31
36048	5, 7, 13
39733	25, 51
501086	27
501285	47, 49
502535	21, 23, 27, 31, 33, 35, 37
503661	5, 7, 9, 13, 25, 27, 29, 31, 33, 35, 37, 39, 43, 47, 49, 51
51780	5, 33, 35, 37
52696	51
52864	21, 23
52909	37, 49, 51
56124	39, 43
56693	33, 39, 43
57444	25
61199	49
62588	31
80399	11
Screw Orifice 58719	45
Seal 56065	27
Seal Assembly 56088P	31, 37
Seal Strap 56090P	31, 37
Secondary Coil 56225D	41
58804B	43
59063B	43
Sensor 510213	39, 43
Shaft 56461P	29, 37
Spade Terminal 00245	5
Speed Clip 28835	25
Spring 52310	31, 37
53261	15, 17, 19
Spring and Connector Assembly M409136	39
Strain Relief 52113	9
52151	9
Support Barrel 56534	25
Switch 512973	25
Switch Assembly 55882	5, 9, 11, 13
Switch Knob 39897	5, 9, 11, 13

T

Temperature Selector Switch 56576	5, 9, 11, 13
Terminal Block Assembly 510190P	49

Terminal Block Shield 56087	47, 49
Thermal Fuse Assembly 511412	33
Thermostat 503552	27
56278	27
56410	27
56470	27
57015	27
Thermostat and Plate Kit 489P3	35
Thermostat Assembly 56115	27
Thermostat Heater 61623	27
Thin Pad 58049	31
Timer 56303P	17
Timer Knob 54678	13
Timer Motor 512017P	15, 17, 19
Timing Cam 53240	15, 17, 19
53241	15, 17, 19
53242	15, 17, 19
53243	15, 17, 19
Transformer Kit 511658P	7

V

Valve Assembly 60443P	43
--------------------------	----

W

Warning/Caution Label 500281	25
Washer 20279	37
20492	27
21147	25
21734	9
21735	13
23225	23
23886	37
25820	5, 9, 11, 13
51474	37
52549	29, 37
56552	33
91176	5, 9, 11, 13
Wire, 12 Gauge 45380	52
Wire, 18 Gauge 45001	52

N/A items do not appear in index.

